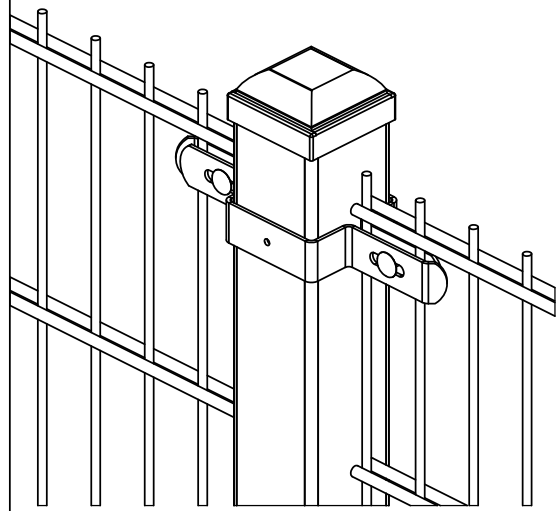
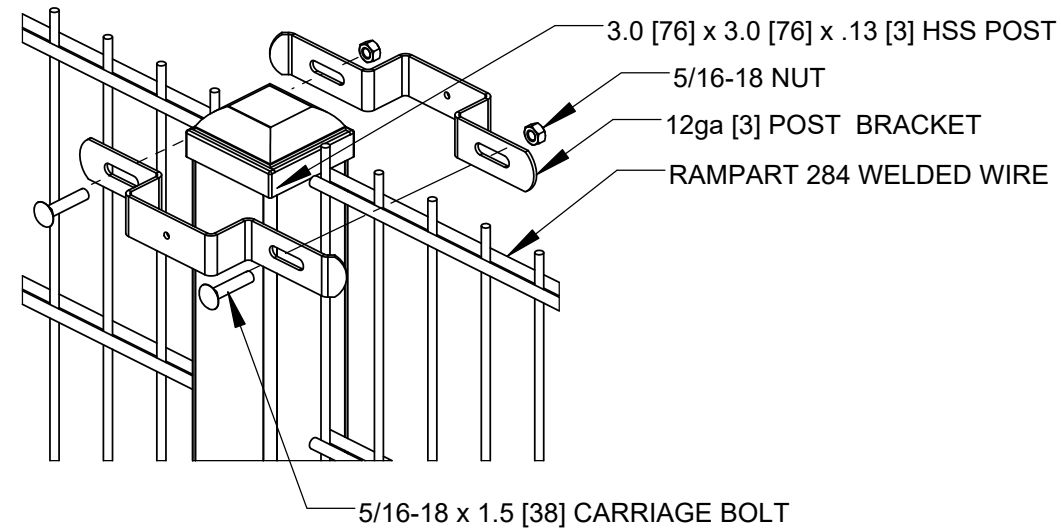


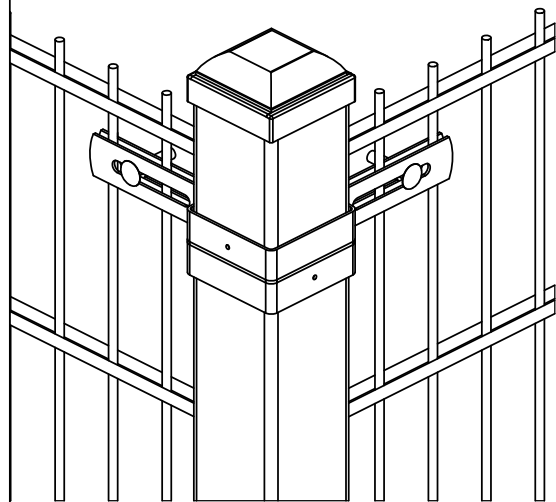
**DETAIL A - LINE POST CONNECTION**



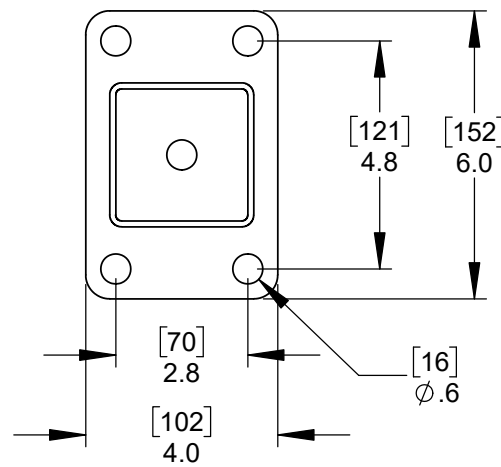
**DETAIL D - PANEL CONNECTION DETAIL**



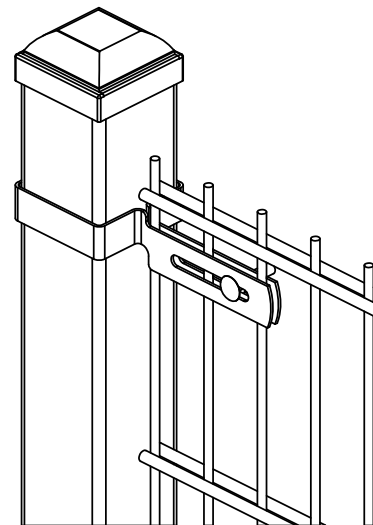
**DETAIL B - CORNER POST CONNECTION**



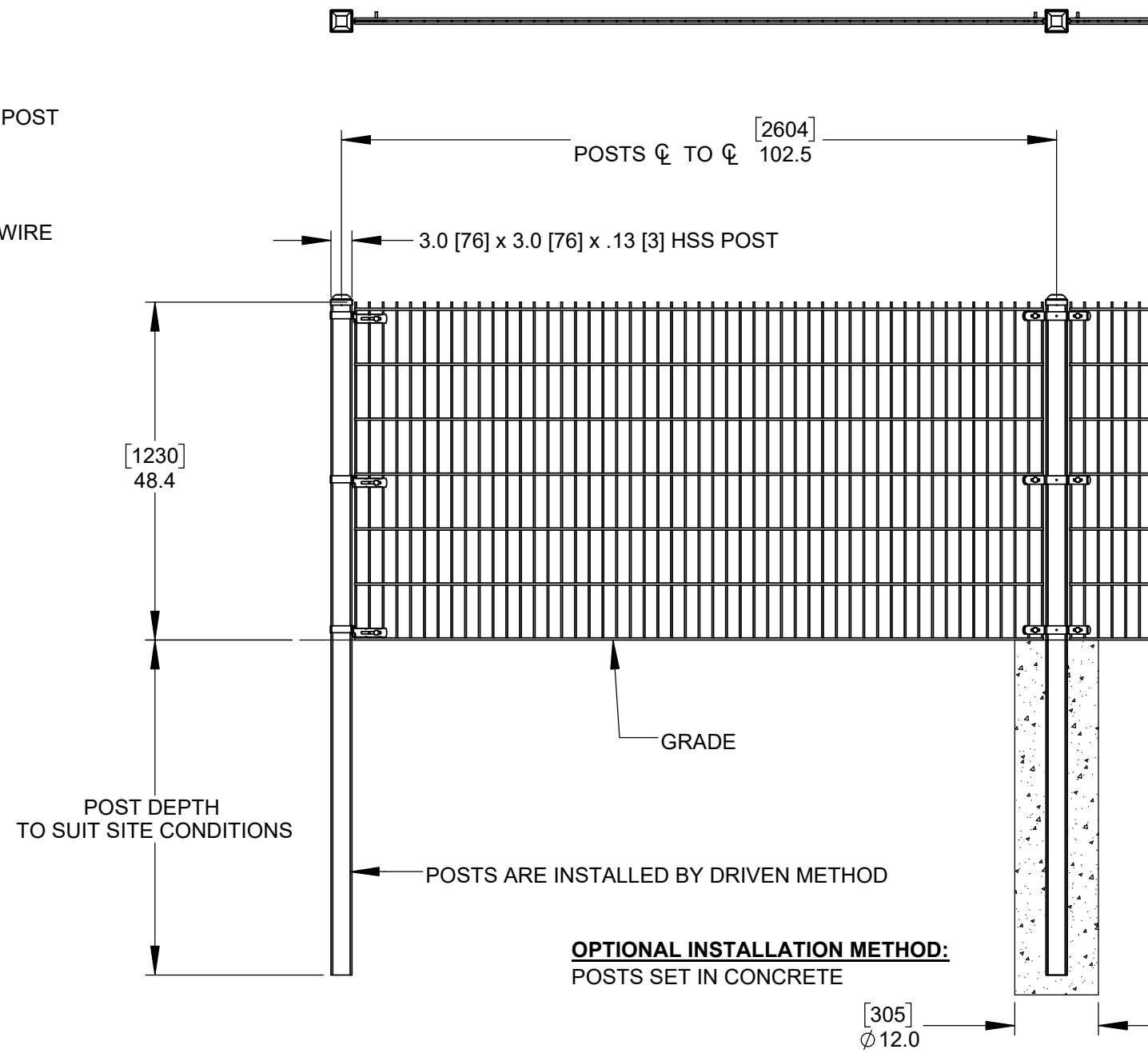
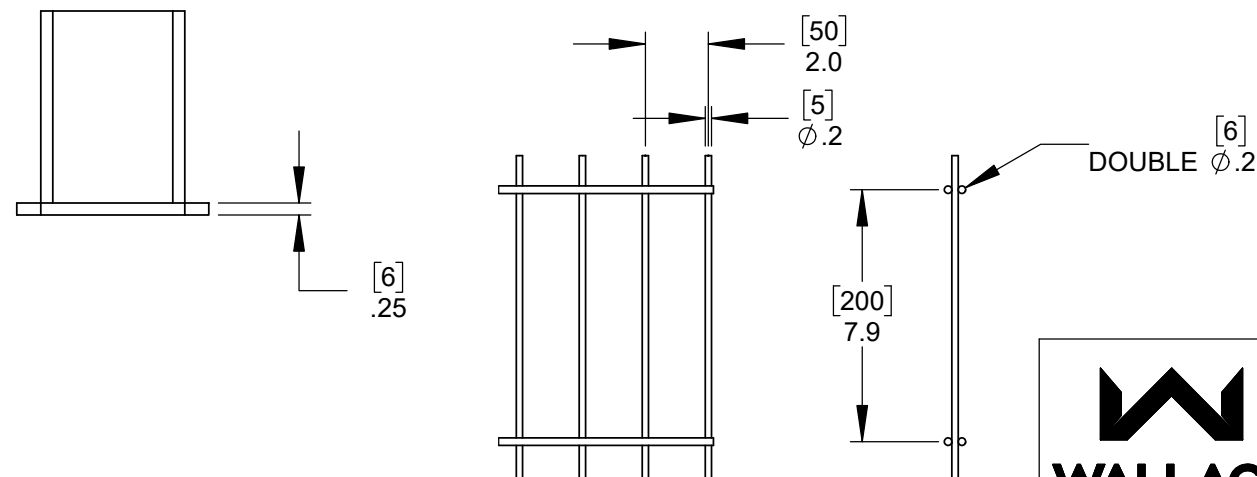
**DETAIL E - OPTIONAL FLANGE POST**



**DETAIL C - END POST CONNECTION**



**RAMPART 284**



**OPTIONAL INSTALLATION METHOD:**  
POSTS SET IN CONCRETE

DIMENSIONS ARE INCHES, DIMENSIONS SHOWN IN [ ] ARE IN MILLIMETERS



115 Lawson Crescent  
Winnipeg, Manitoba, Canada, R3P 1A6  
Phone: 1-866-300-1110  
Fax: 1-204-284-1868  
Web: www.wallaceperimetersecurity.com

Description:		
<b>RAMPART 284 WELDED WIRE FENCE 3.0 [76] x 3.0 [76] SQUARE POSTS</b>		
Customer / Project Name:		
Finish:	STANDARD: GALVANIZED OPTIONAL: POWDER COAT, BLACK	Date: 4/27/2022
Drawing No.	<b>RAMPART 284S3</b>	Rev. <b>A</b> Sheet: 1 of 1