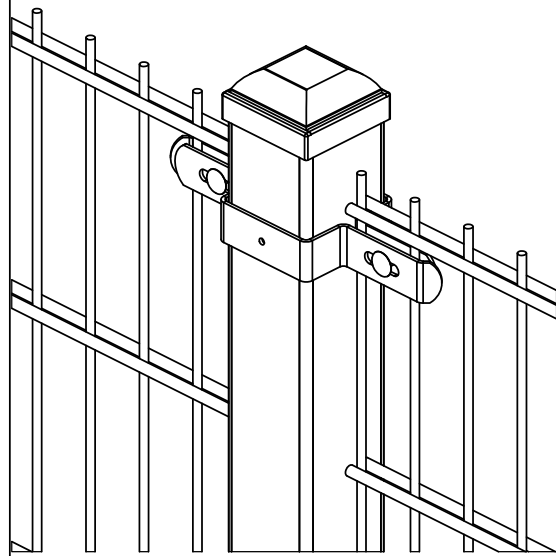
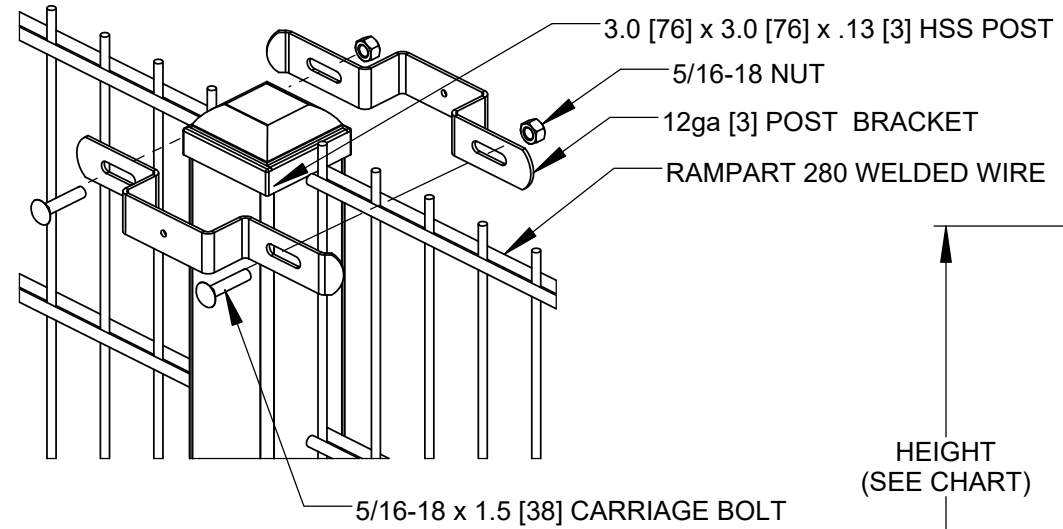


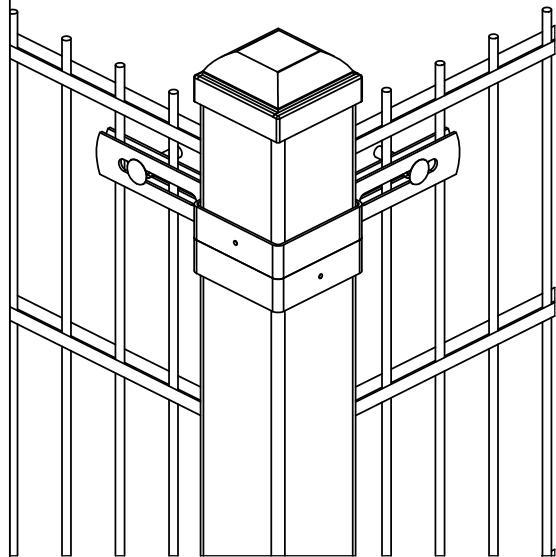
DETAIL A - LINE POST CONNECTION



DETAIL D - PANEL CONNECTION DETAIL

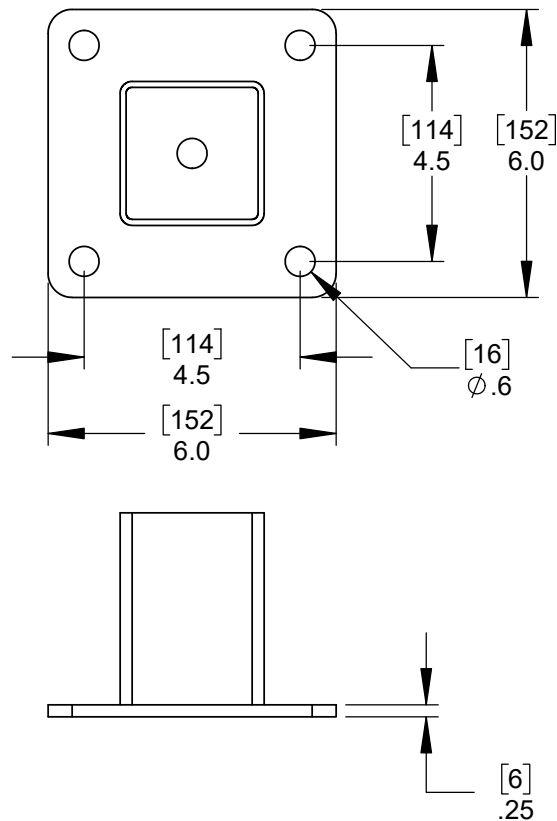


DETAIL B - CORNER POST CONNECTION

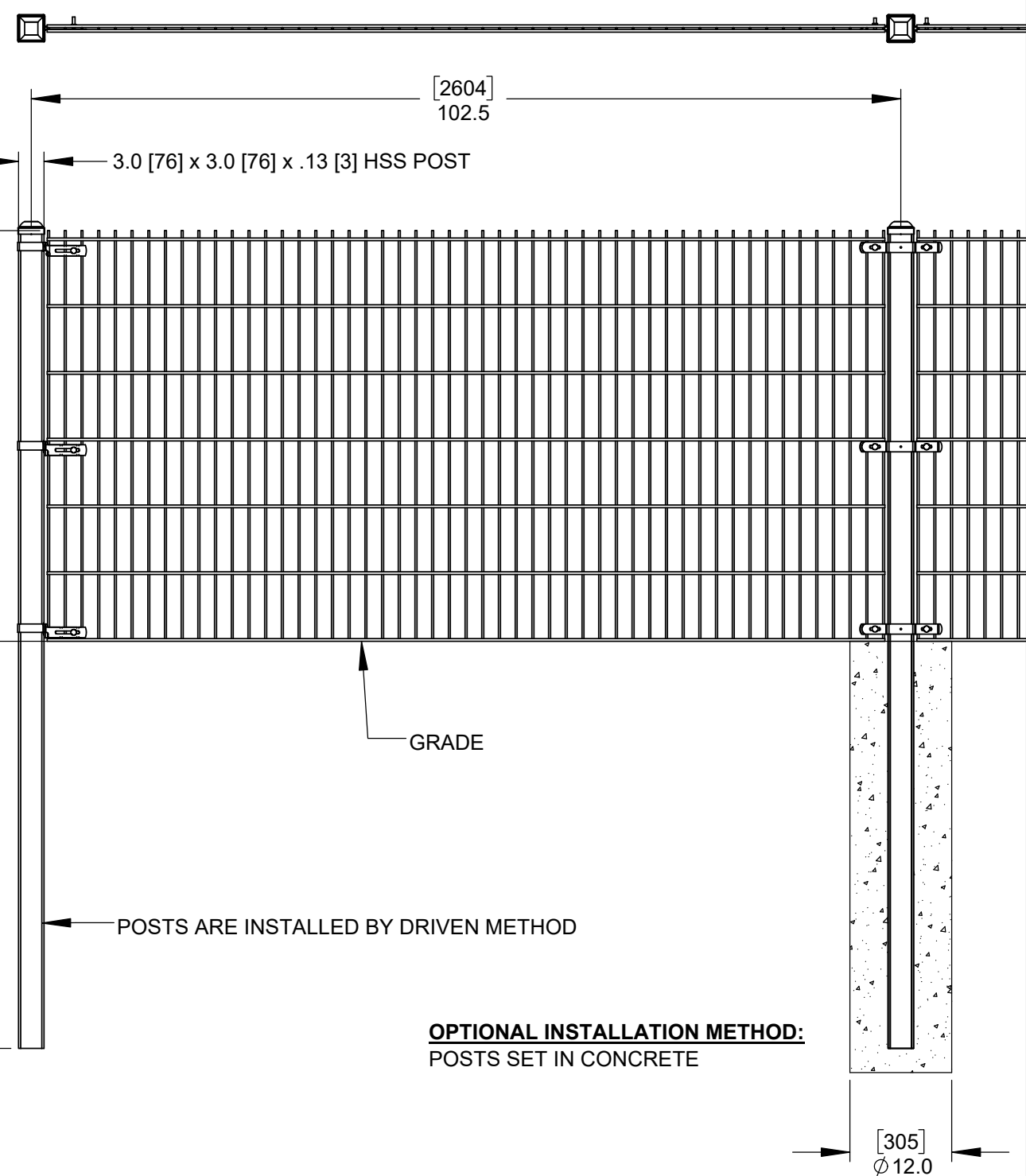
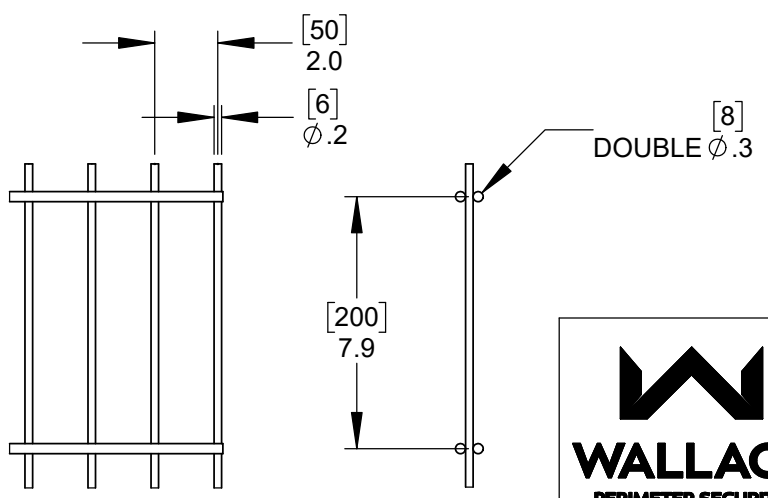


HEIGHT	BRACKET QTY.
4' [1.2]	3
6' [1.8]	4
8' [2.4]	5

DETAIL E - OPTIONAL FLANGE POST

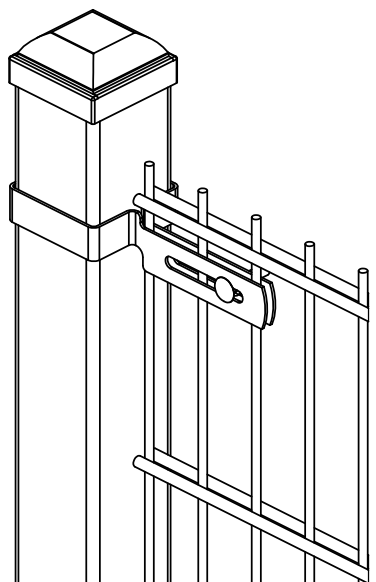


RAMPART 280



OPTIONAL INSTALLATION METHOD:
 POSTS SET IN CONCRETE

DETAIL C - END POST CONNECTION



DIMENSIONS ARE INCHES, DIMENSIONS SHOWN IN [] ARE IN MILLIMETERS



115 Lowson Crescent
 Winnipeg, Manitoba, Canada, R3P 1A6
 Phone: 1-866-300-1110
 Fax: 1-204-284-1868
 Web: www.wallaceperimetersecurity.com

Description:		
RAMPART 280 WELDED WIRE FENCE 3.0 [76] x 3.0 [76] SQUARE POSTS		
Customer / Project Name:		
Finish:	STANDARD: GALVANIZED OPTIONAL: POWDER COAT, BLACK	Date: 12/1/2023
Drawing No.	RAMPART 280S3	Rev. B Sheet: 1 of 1