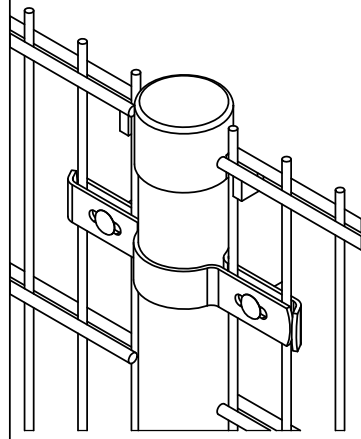
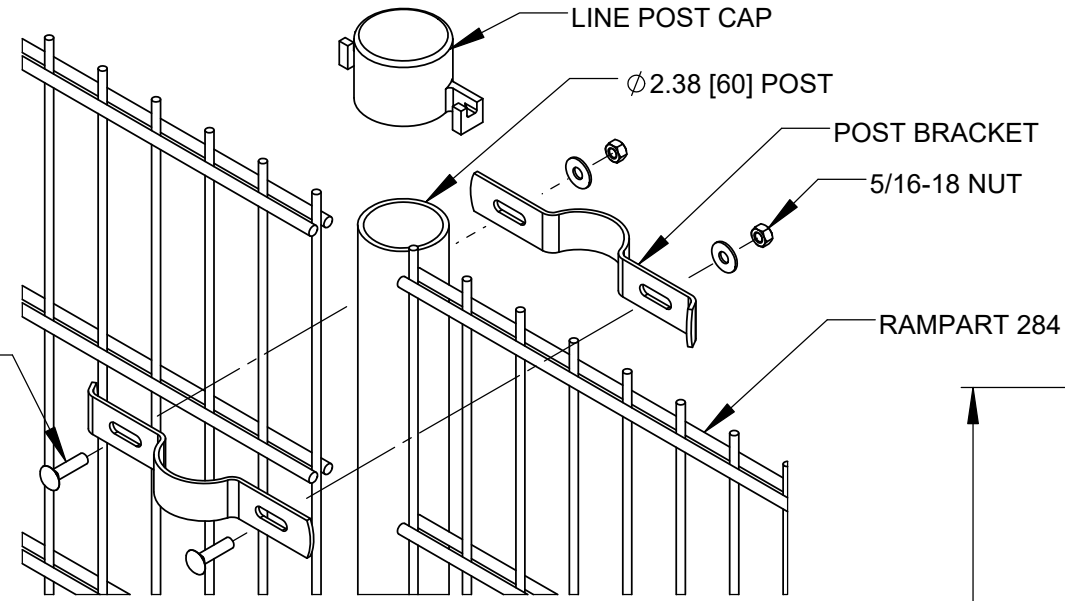


DETAIL A - LINE POST CONNECTION



5/16-18 x 1.5 [38]
CARRIAGE BOLT

DETAIL D - PANEL CONNECTION DETAIL (LINE POST SHOWN)



LINE POST CAP

Ø 2.38 [60] POST

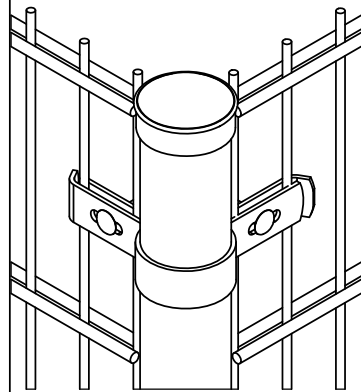
POST BRACKET

5/16-18 NUT

RAMPART 284

DIMENSIONS ARE IN INCHES, DIMENSIONS SHOWN IN [] ARE IN MILLIMETERS

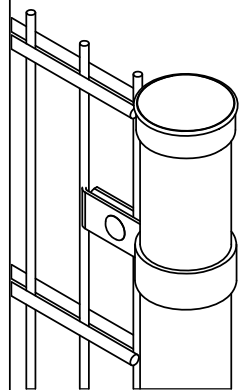
DETAIL B - CORNER POST CONNECTION



HEIGHT	BRACKET QTY.
4' [1.2]	3
6' [1.8]	4
8' [2.4]	5

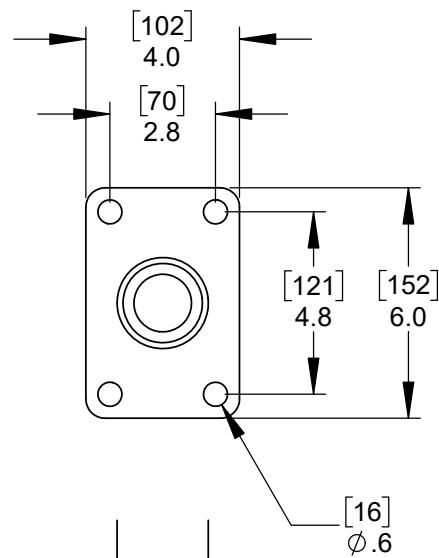
HEIGHT
(SEE CHART)

DETAIL C - END POST CONNECTION



[6]
.25

DETAIL E - OPTIONAL FLANGE POST



[102]
4.0

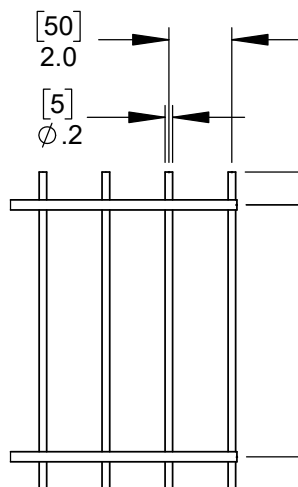
[70]
2.8

[121]
4.8

[152]
6.0

[16]
Ø .6

RAMPART 284



[50]
2.0

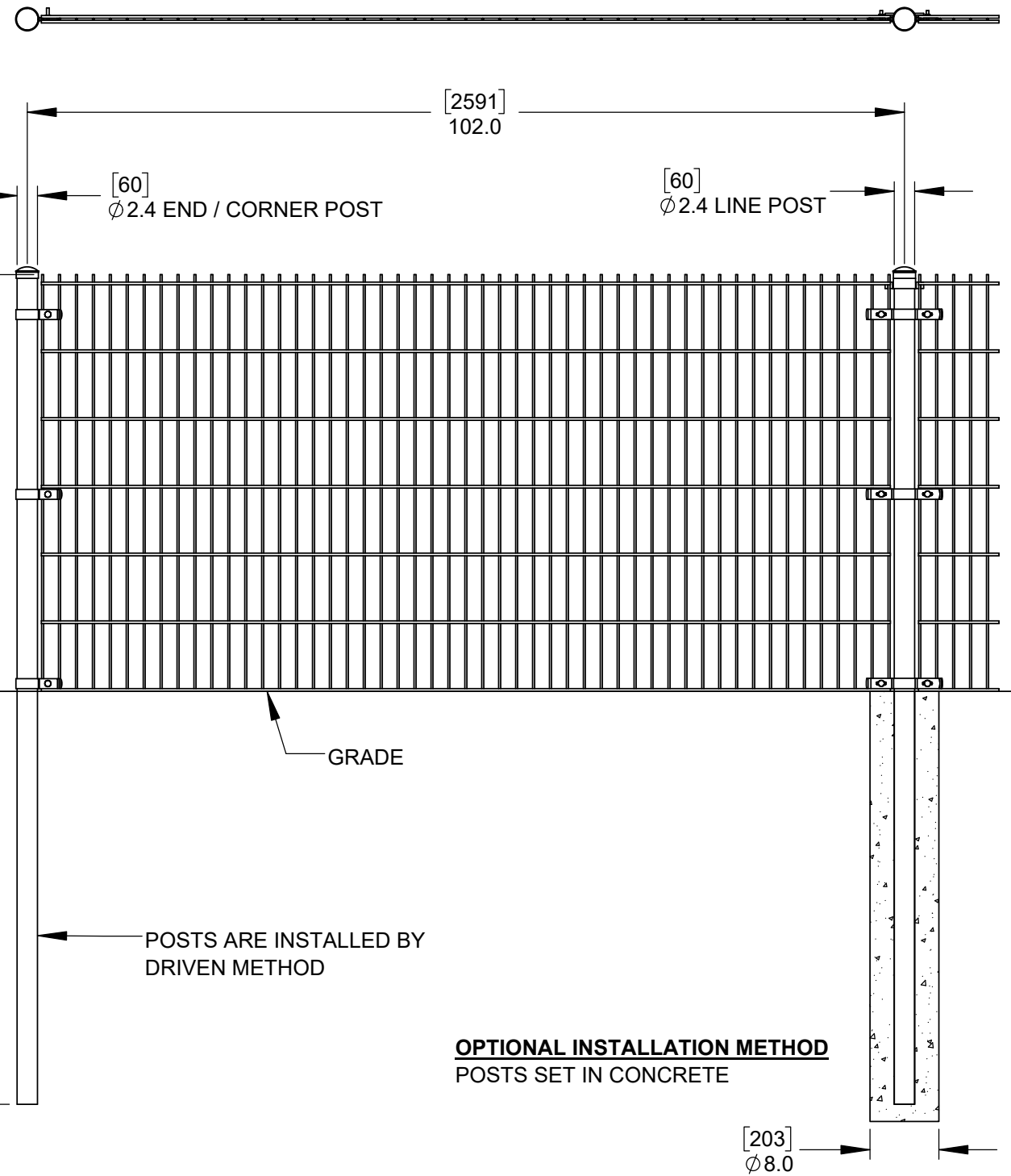
[5]
Ø .2

[26]
1.0

[200]
7.9



115 Lawson Crescent
Winnipeg, Manitoba, Canada, R3P 1A6
Phone: 1-866-300-1110
Fax: 1-204-284-1868
Web: www.wallaceperimetersecurity.com



[2591]
102.0

[60]
Ø 2.4 END / CORNER POST

[60]
Ø 2.4 LINE POST

GRADE

36.0
POST DEPTH
TO SUIT SITE CONDITIONS

POSTS ARE INSTALLED BY
DRIVEN METHOD

OPTIONAL INSTALLATION METHOD
POSTS SET IN CONCRETE

[203]
Ø 8.0

Description: RAMPART 280 WELDED WIRE FENCE Ø 2.375 [60] POSTS		
Customer / Project Name:		
Finish: STANDARD: GALVANIZED OPTIONAL: POWDER COAT, BLACK	Date: 4/27/2022	
Drawing No. RAMPART 280	Rev. A	Sheet: 1 of 1