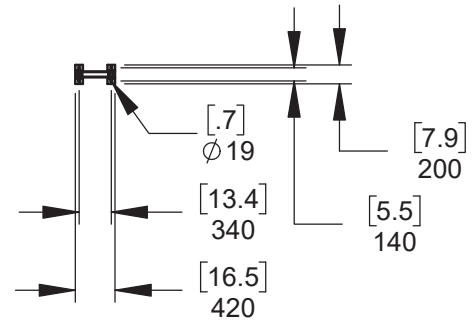
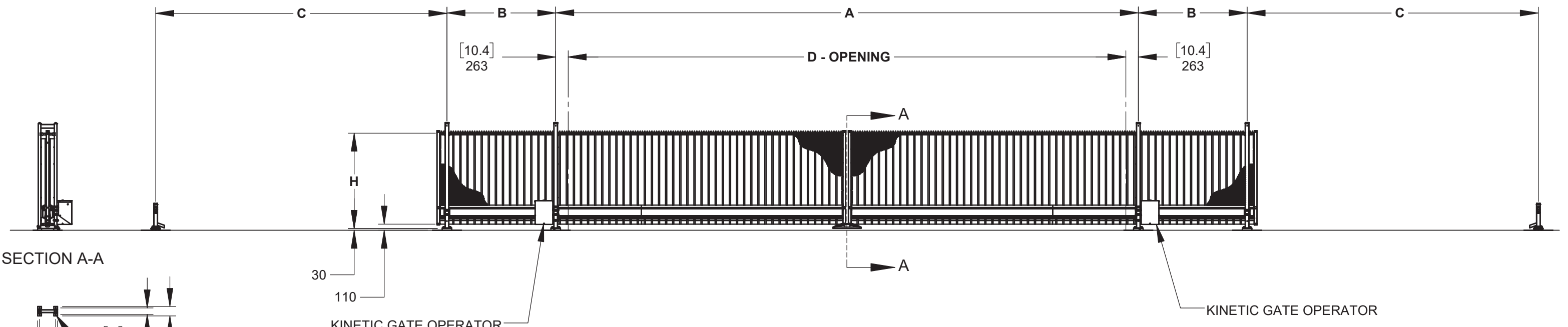




[24.0]
Ø610



DIMENSIONS ARE SHOWN IN MILLIMETERS. DIMENSIONS SHOWN IN [] ARE IN INCHES

Delta Model	H	A	B	C	D	U max
50/50/200	2000 [78.7]	10520 [414.2]	2300 [90.6]	5260 [207.1]	9994 [393.5]	25840 [1017.3]
50/50/250	2500 [98.4]					
60/60/200	2000 [78.7]	12320 [485.0]	2300 [90.6]	6160 [242.5]	11794 [464.3]	29440 [1159.1]
60/60/250	2500 [98.4]					
70/70/200	2000 [78.7]	14920 [587.4]	2800 [110.2]	7460 [293.7]	14394 [566.7]	35640 [1403.1]
70/70/250	2500 [98.4]					
85/85/200	2000 [78.7]	17320 [681.9]	2800 [110.2]	8660 [340.9]	16794 [661.2]	40440 [1592.1]
85/85/250	2500 [98.4]					
95/95/200	2000 [78.7]	19120 [752.8]	2800 [110.2]	9560 [376.4]	18594 [732.0]	44040 [1733.9]

FINISH NOTES:

- STANDARD FINISH:
- HOT DIPPED GALVANIZED FINISH ON ALL STEEL COMPONENTS
- MILL FINISH ALL ALUMINUM COMPONENTS
- OPTIONAL POWDER COAT FINISH, RAL # TO BE SPECIFIED

Product must be installed in accordance with ASTM: F-2200 & UL325

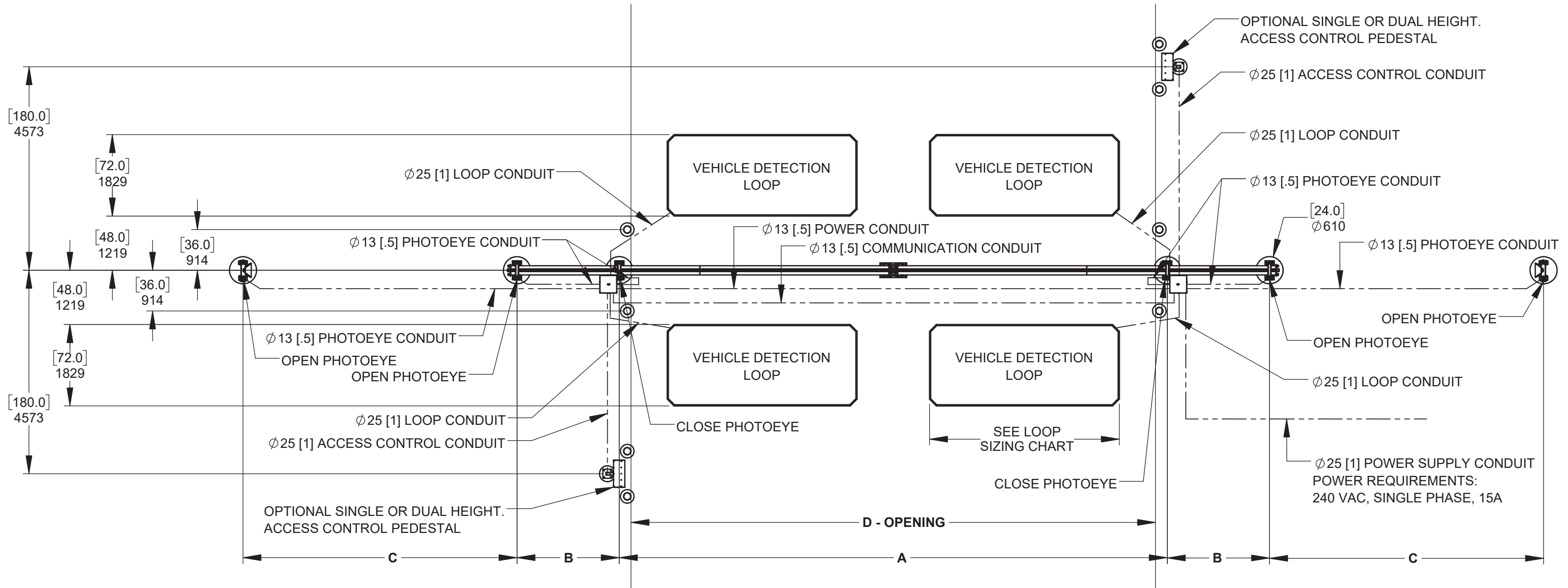
Description:		DOUBLE DELTA CANTILEVER SLIDE GATE	
Customer:			
Finish:	SEE FINISH NOTES	Date:	4/14/2020
Drawing No.	DOUBLE_DELTA-04-14-20	Rev.	Sheet: 1 of 6

115 Lowson Crescent
Winnipeg, Manitoba, Canada, R3P 1A6
Phone: 1-866-300-1110
Fax: 1-204-284-1868
Web: www.wallaceperimetersecurity.com

NOTES:

- OPTIONAL ACCESS CONTROL HARDWARE, VEHICLE DETECTION LOOP AND BOLLARD LOCATIONS ARE SUPPLIED AS A REFERENCE ONLY. ALL FINAL MATERIALS AND LOCATIONS ARE SUPPLIED AND INSTALLED BY OTHERS UNLESS OTHERWISE SPECIFIED AT TIME OF ORDER.
- GATE TRAVEL DIRECTION MUST BE SPECIFIED AT TIME OF ORDER FOR CORRECT PLACEMENT OF CONDUIT AND GATE OPERATORS.
- SEE SHEET 3 FOR GENERIC FOUNDATION SIZING, INSTALLATION AND LEVELING NOTES.

Delta Model	D - Opening	Loop Width
50/50	9994 [393.5]	3048 [120] x2
60/60	11794 [464.3]	4267 [168] x2
70/70	14394 [566.7]	4876 [192] X2
85/85	16794 [661.2]	6096 [240] x2
95/95	18594 [732.0]	6096 [240] x2



Product must be installed in accordance with ASTM: F-2200 & UL325

Description:
**DOUBLE DELTA
 CANTILEVER SLIDE GATE**
 GENERIC SITE LAYOUT / CONDUIT REQUIREMENTS

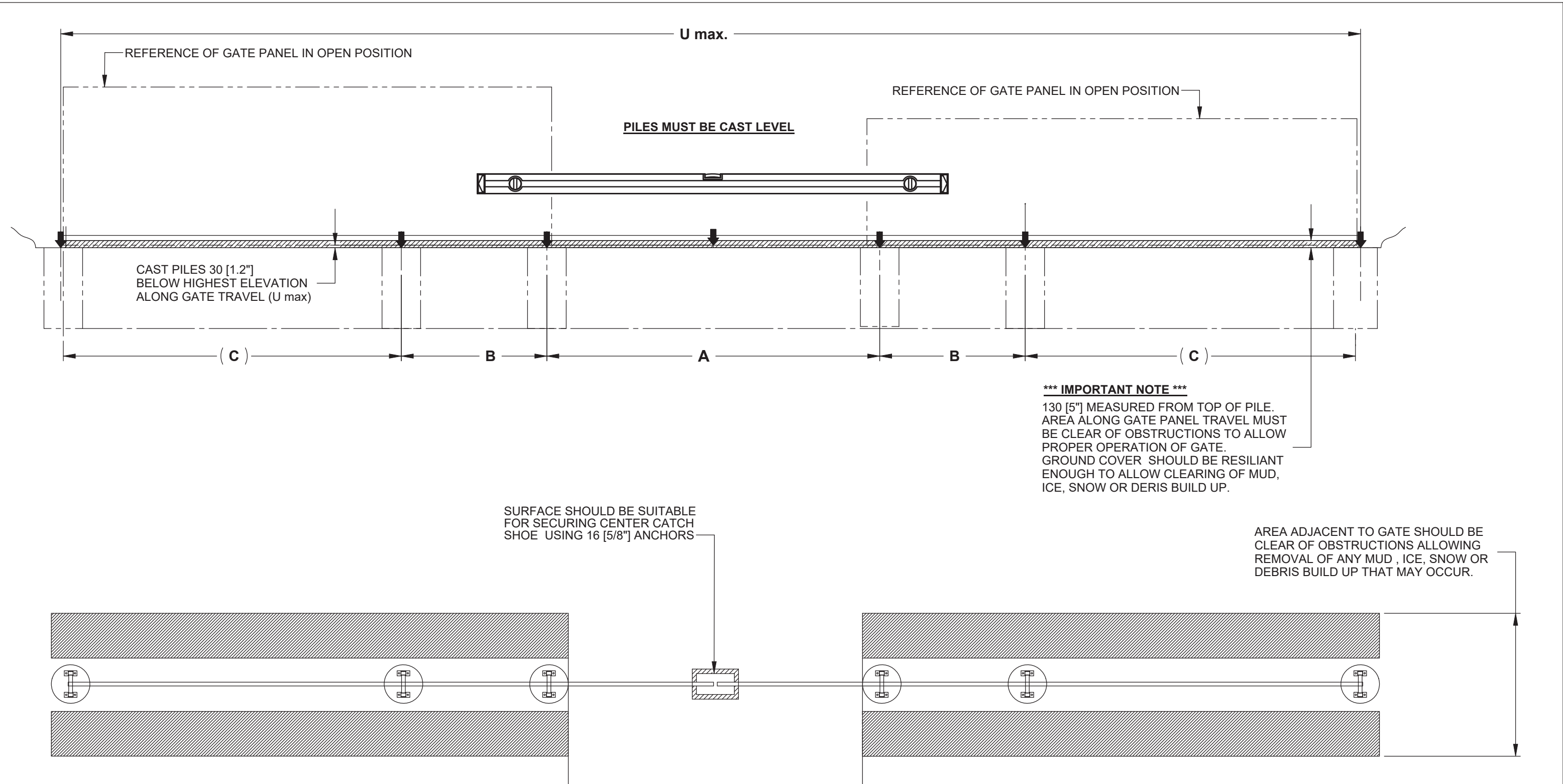
Customer:

Finish: SEE FINISH NOTES
 Date: 4/14/2020

Drawing No. **DOUBLE_DELTA-04-14-20**
 Rev. Sheet: 2 of 6

WALLACE
 PERIMETER SECURITY

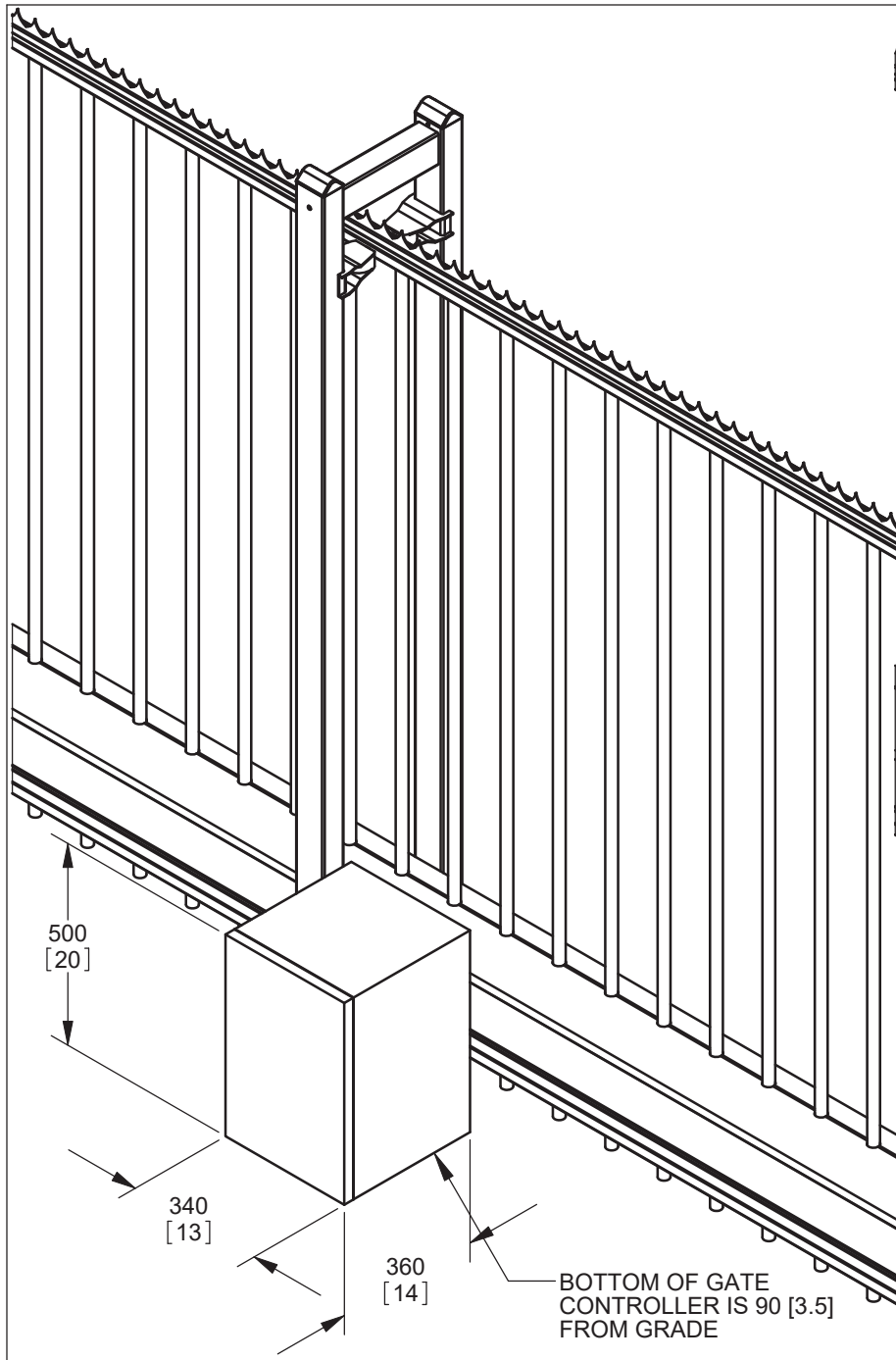
115 Lawson Crescent
 Winnipeg, Manitoba, Canada, R3P 1A6
 Phone: 1-866-300-1110
 Fax: 1-204-284-1868
 Web: www.wallaceperimetersecurity.com



Description:		DOUBLE DELTA GATE STANDARD DIMENSIONS	
Project / Customer Name:		-	
Finish:	-	Date:	
Drawing No.	DOUBLE_DELTA-04-14-20	Rev.	
		Sheet:	3 of 6


WALLACE
 PERIMETER SECURITY

90 Lawson Crescent
 Winnipeg, Manitoba, Canada, R3P 2H8
 Phone: 1-866-300-1110
 Fax: 1-204-284-1868
 www.wallaceperimetersecurity.com



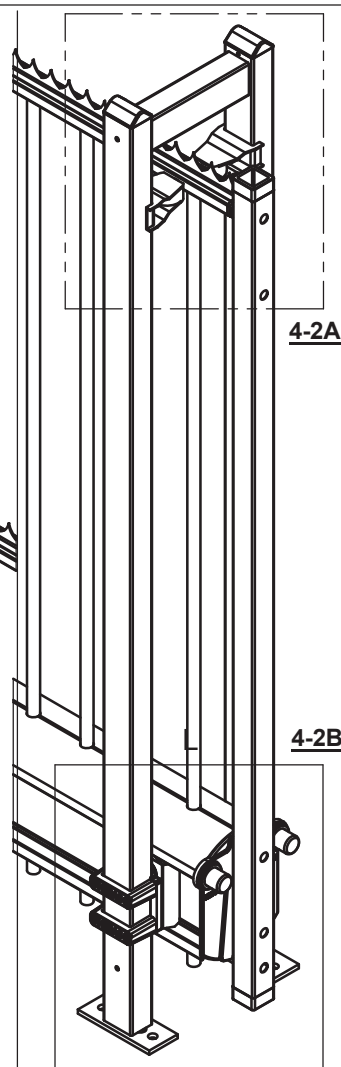
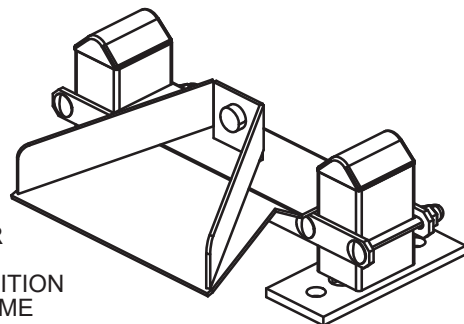
BOTTOM OF GATE CONTROLLER IS 90 [3.5] FROM GRADE

NOTE:
GATE CONTROLLER IS LOCATED ON THE SECURE SIDE OF GATE.
INCOMING POWER REQUIREMENTS, 240 VAC SINGLE PHASE, 15A

DETAIL 4-1 - GATE CONTROLLER DIMENSIONS

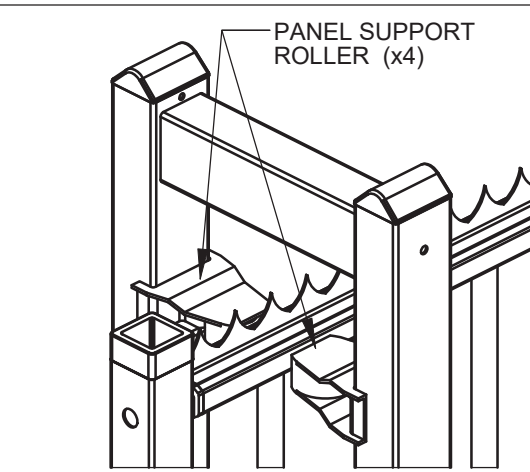
DETAIL 4-4 - OPTIONAL REAR REST SHOE

NOTE:
REAR GATE REST SHOE IS RECOMMENDED ONLY IF GATE SIZE IS EQUAL TO OR GREATER THAN 8.5M [335] AND THE GATE WILL REMAIN IN THE OPEN POSITION FOR EXTENDED PERIODS OF TIME

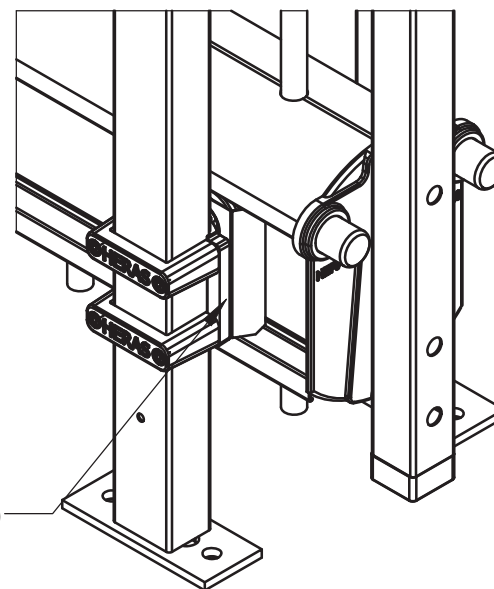


DETAIL 4-2 - PANEL ROLLERS

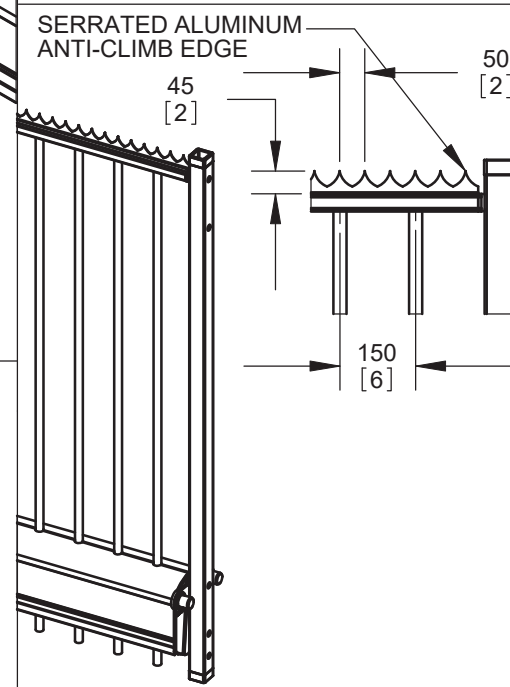
MAIN BEAM ROLLER SET (X2)



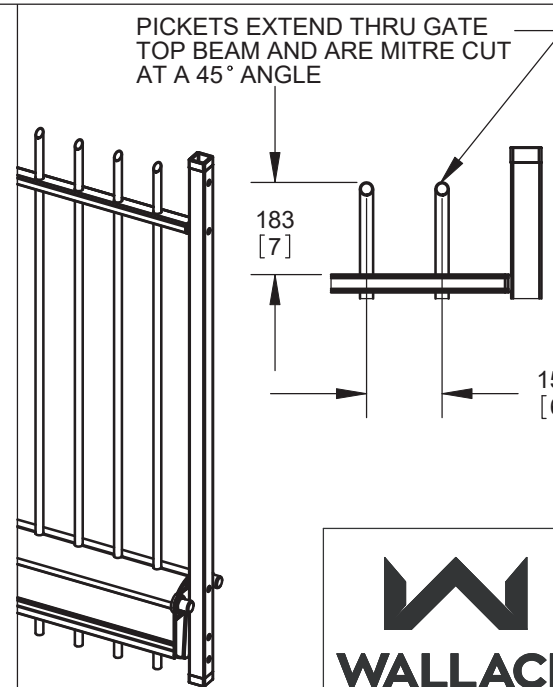
DETAIL 4-2A - UPPER PANEL SUPPORT ROLLER



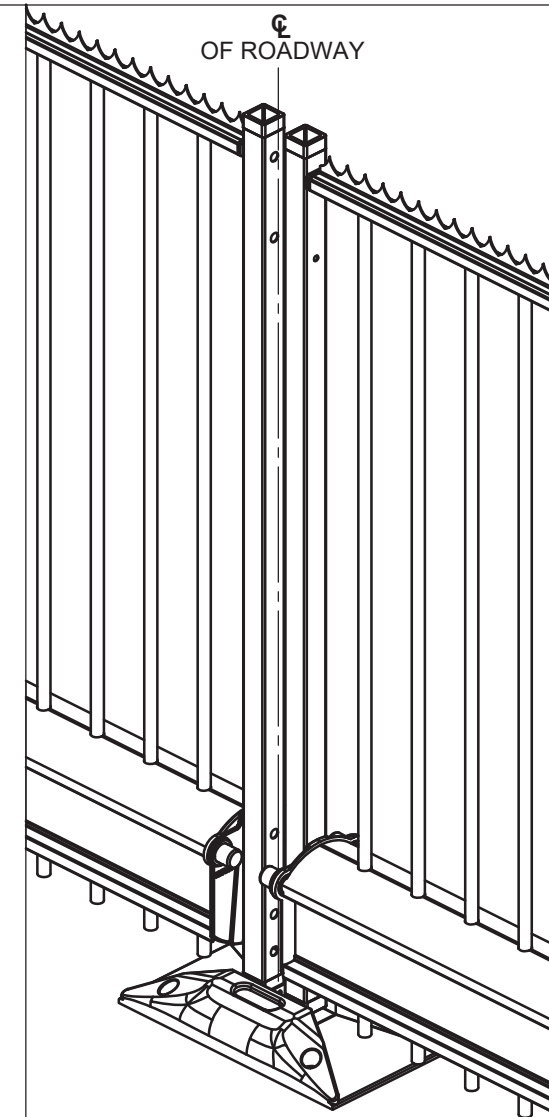
DETAIL 4-2B - MAIN BEAM ROLLER SET



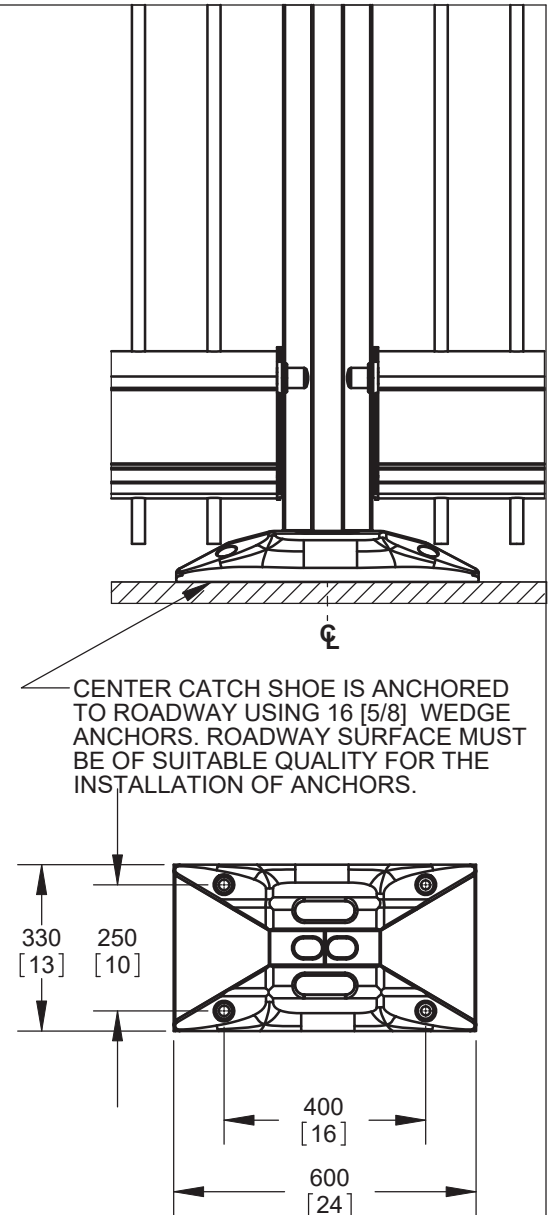
DETAIL 4-5A - HERECLES



DETAIL 4-5B - ATLAS



DETAIL 4-3 - CENTER CATCH SHOE DETAILS



CENTER CATCH SHOE IS ANCHORED TO ROADWAY USING 16 [5/8] WEDGE ANCHORS. ROADWAY SURFACE MUST BE OF SUITABLE QUALITY FOR THE INSTALLATION OF ANCHORS.

NOTES:

GATE FINISH:

- HOT DIPPED GALVANIZED FINISH FOR ALL STEEL COMPONENTS
- ALUMINUM GATE BEAMS - CLEAR ANODIZED FINISH

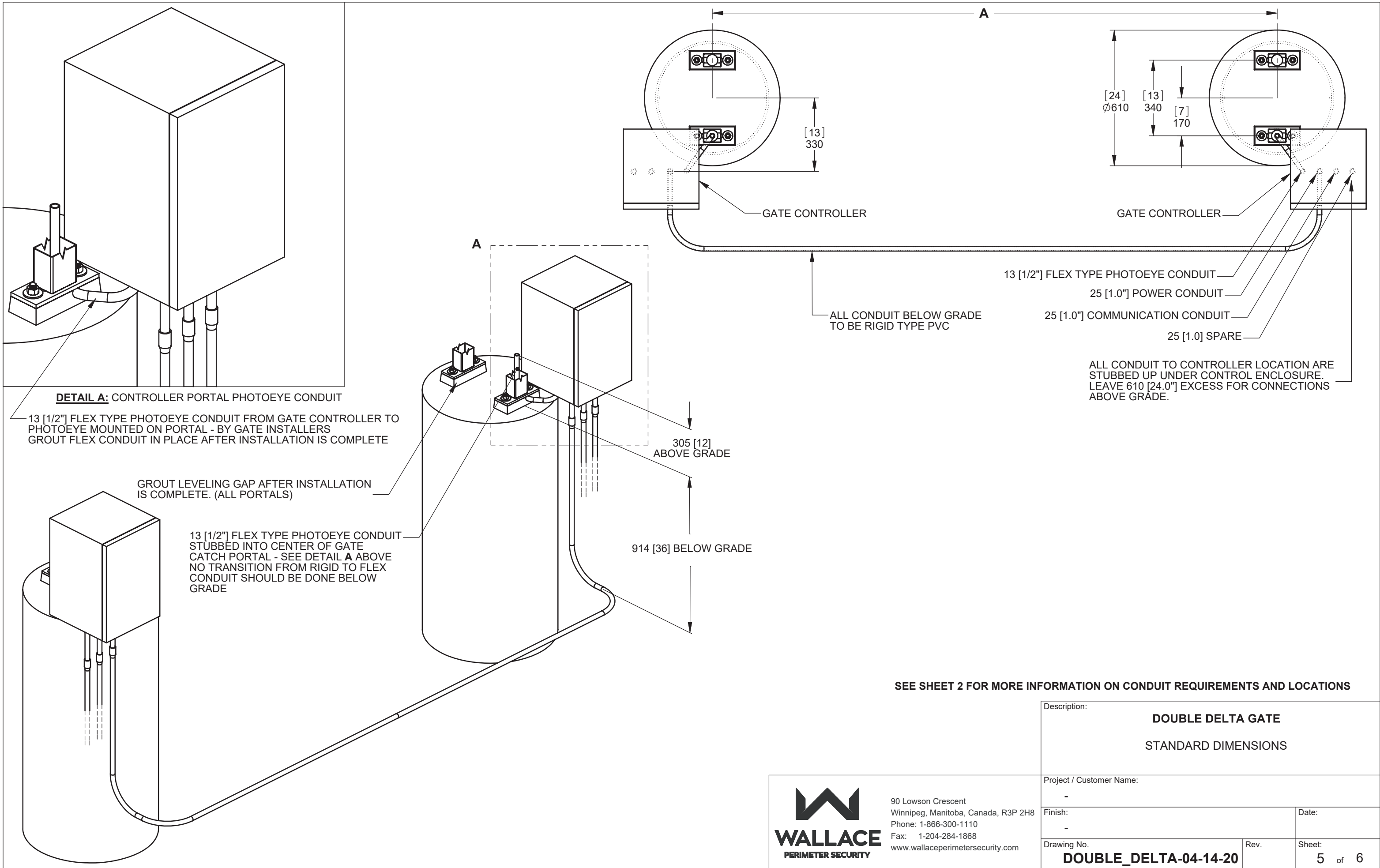
OPTIONAL:

POWDER COAT PAINT FINISH AVAILABLE - RAL COLOR NUMBER MUST BE SUPPLIED AT TIME OF ORDER.

Description:		DOUBLE DELTA GATE STANDARD DIMENSIONS	
Project / Customer Name:		-	
Finish:	-	Date:	
Drawing No.	DOUBLE_DELTA-04-14-20	Rev.	
		Sheet:	4 of 6



90 Lawson Crescent
Winnipeg, Manitoba, Canada, R3P 2H8
Phone: 1-866-300-1110
Fax: 1-204-284-1868
www.wallaceperimetersecurity.com



DETAIL A: CONTROLLER PORTAL PHOTOEYE CONDUIT

13 [1/2"] FLEX TYPE PHOTOEYE CONDUIT FROM GATE CONTROLLER TO PHOTOEYE MOUNTED ON PORTAL - BY GATE INSTALLERS GROUT FLEX CONDUIT IN PLACE AFTER INSTALLATION IS COMPLETE

GROUT LEVELING GAP AFTER INSTALLATION IS COMPLETE. (ALL PORTALS)

13 [1/2"] FLEX TYPE PHOTOEYE CONDUIT STUBBED INTO CENTER OF GATE CATCH PORTAL - SEE DETAIL A ABOVE NO TRANSITION FROM RIGID TO FLEX CONDUIT SHOULD BE DONE BELOW GRADE

305 [12] ABOVE GRADE

914 [36] BELOW GRADE

GATE CONTROLLER

GATE CONTROLLER

13 [1/2"] FLEX TYPE PHOTOEYE CONDUIT

25 [1.0"] POWER CONDUIT

25 [1.0"] COMMUNICATION CONDUIT

25 [1.0"] SPARE

ALL CONDUIT BELOW GRADE TO BE RIGID TYPE PVC

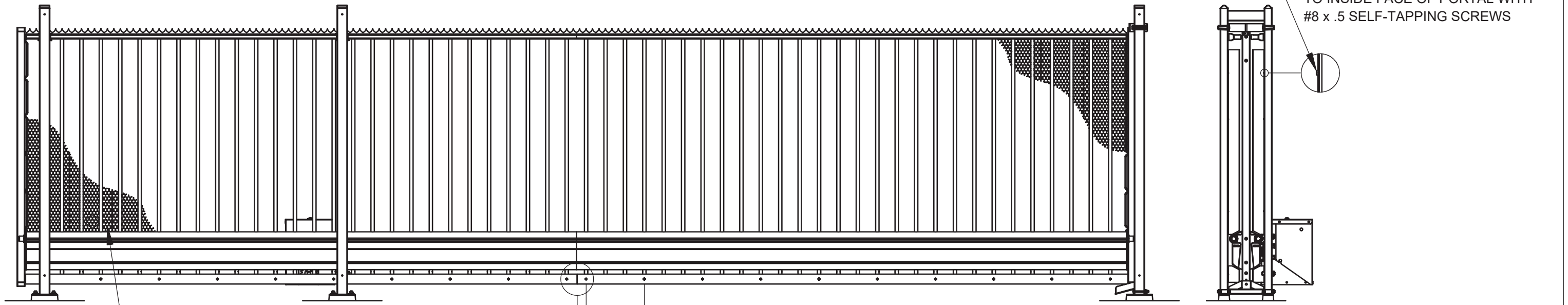
ALL CONDUIT TO CONTROLLER LOCATION ARE STUBBED UP UNDER CONTROL ENCLOSURE. LEAVE 610 [24.0"] EXCESS FOR CONNECTIONS ABOVE GRADE.

SEE SHEET 2 FOR MORE INFORMATION ON CONDUIT REQUIREMENTS AND LOCATIONS

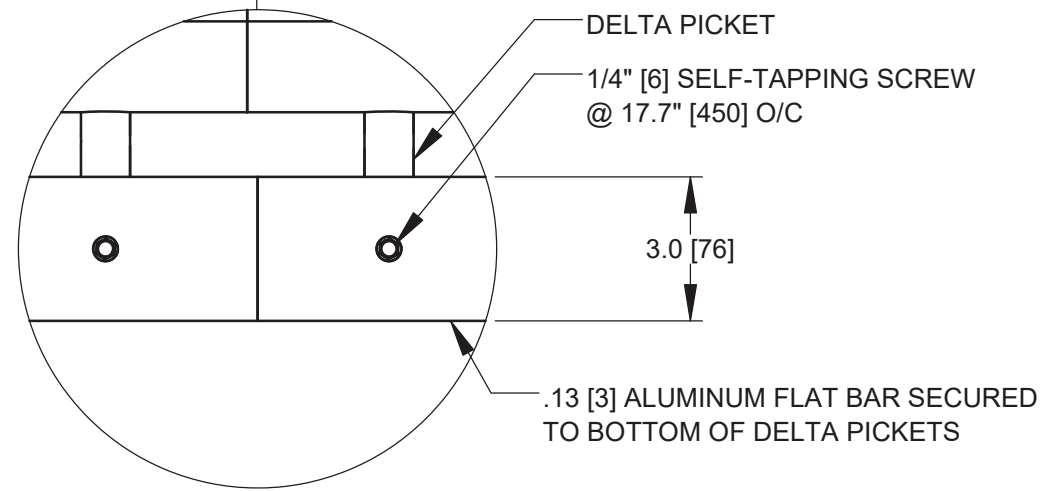
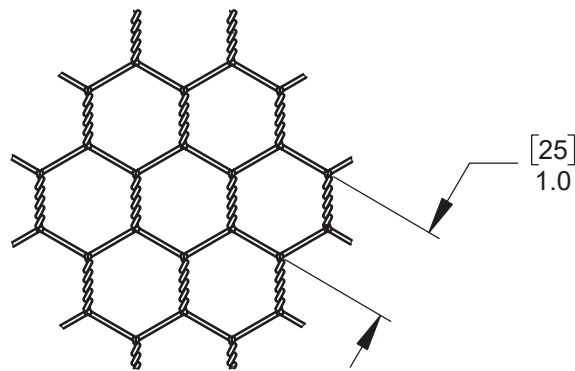
Description:		DOUBLE DELTA GATE STANDARD DIMENSIONS	
Project / Customer Name:		-	
Finish:	-		Date:
Drawing No.	Rev.	Sheet:	
DOUBLE_DELTA-04-14-20		5 of 6	



90 Lowson Crescent
Winnipeg, Manitoba, Canada, R3P 2H8
Phone: 1-866-300-1110
Fax: 1-204-284-1868
www.wallaceperimetersecurity.com

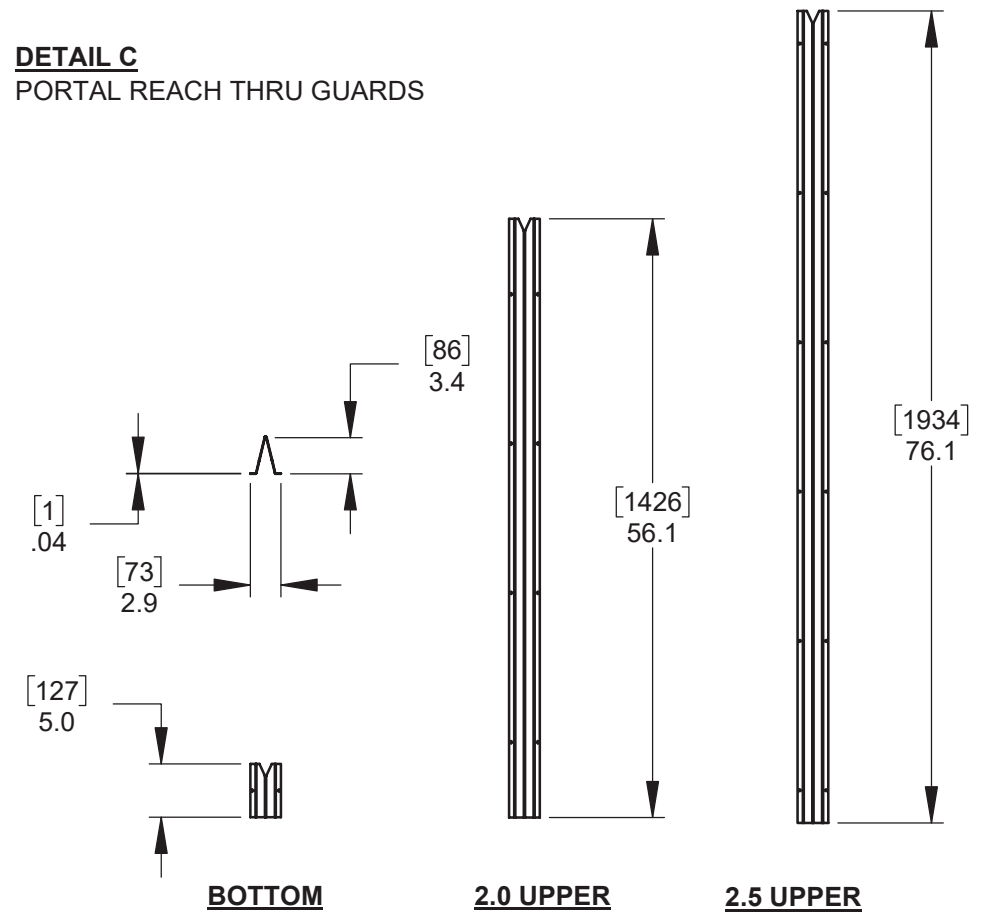


DETAIL A
20ga 1.0" [25] REVERSE TWIST HEX NETTING



DETAIL B
3.0 [76] x .13 [3] BOTTOM PICKET GUARD

DETAIL C
PORTAL REACH THRU GUARDS



Description:		DOUBLE DELTA GATE UL325 KIT INSTALLATION DETAIL	
Customer:			
Finish:		Date:	4/14/2020
Drawing No.	DOUBLE_DELTA-04-14-20	Rev.	Sheet: 6 of 6

WALLACE
PERIMETER SECURITY

115 Lawson Crescent
Winnipeg, Manitoba, Canada, R3P 1A6
Phone: 1-866-300-1110
Fax: 1-204-284-1868
Web: www.wallaceperimetersecurity.com