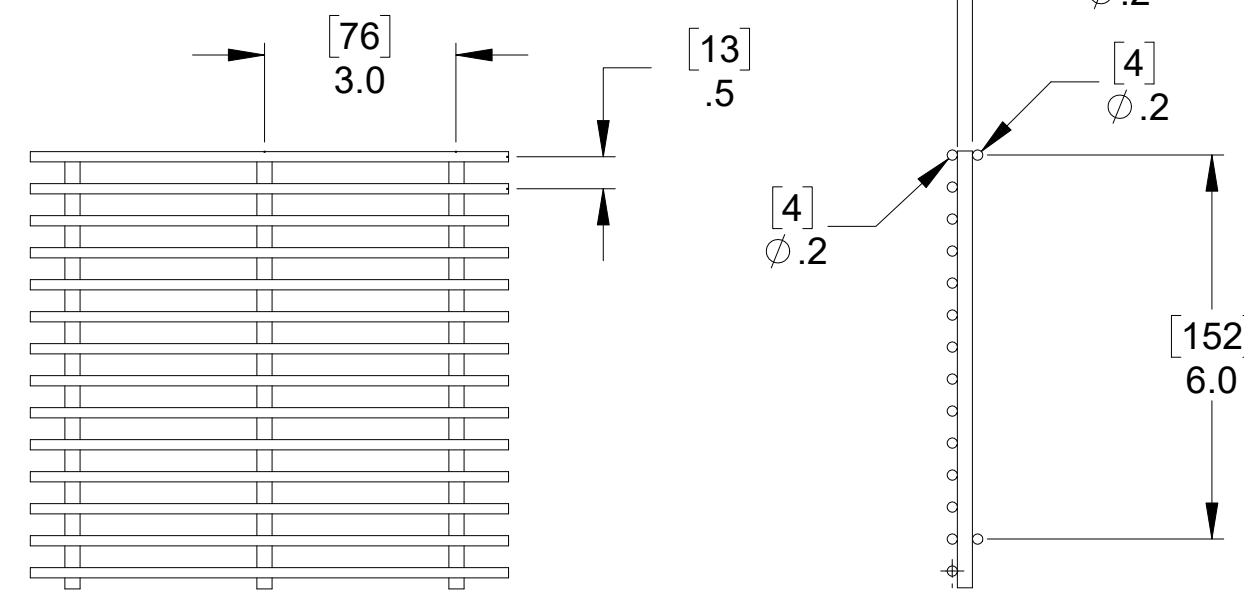
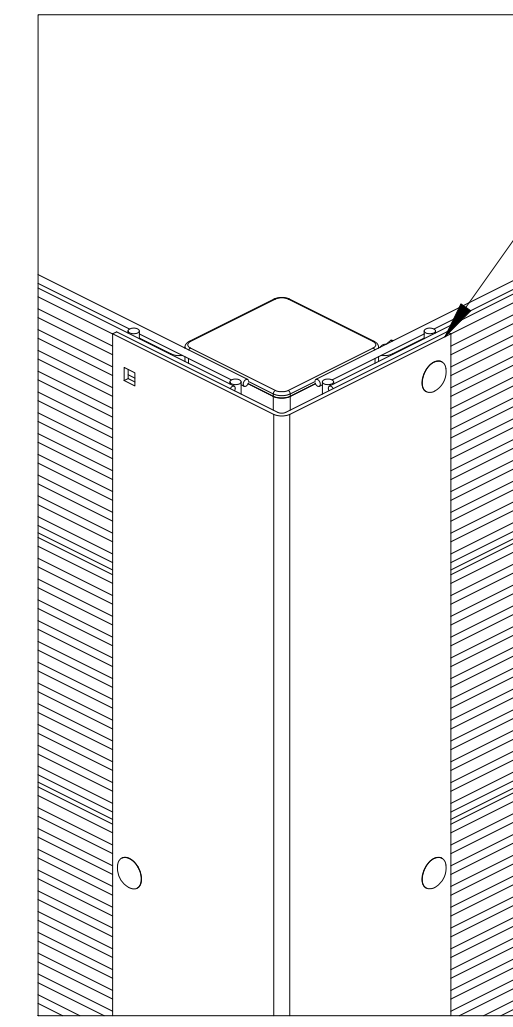
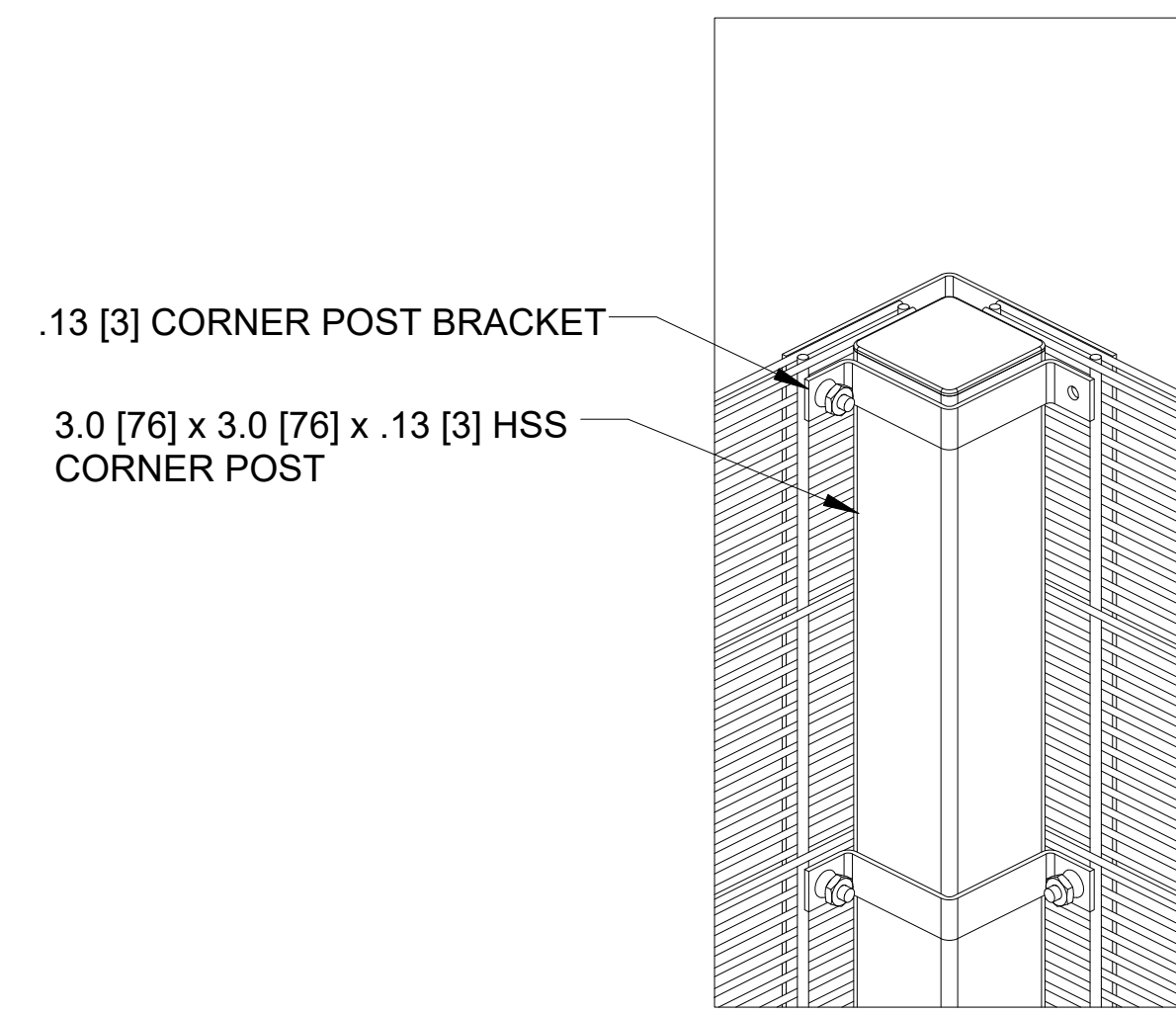


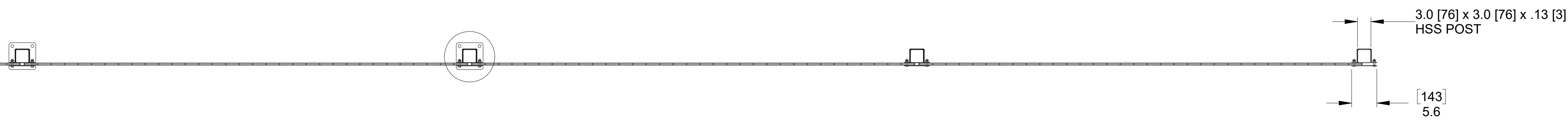
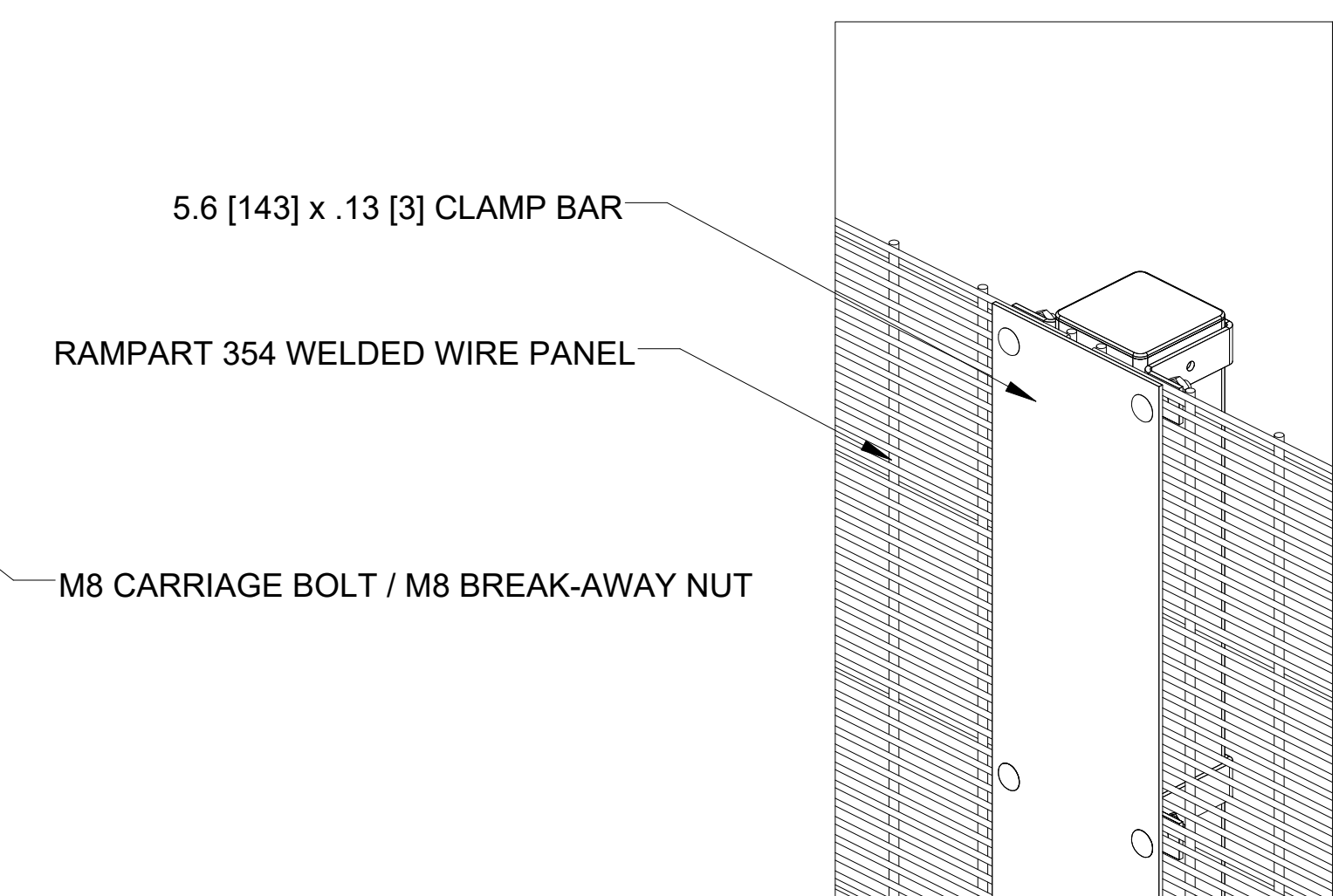
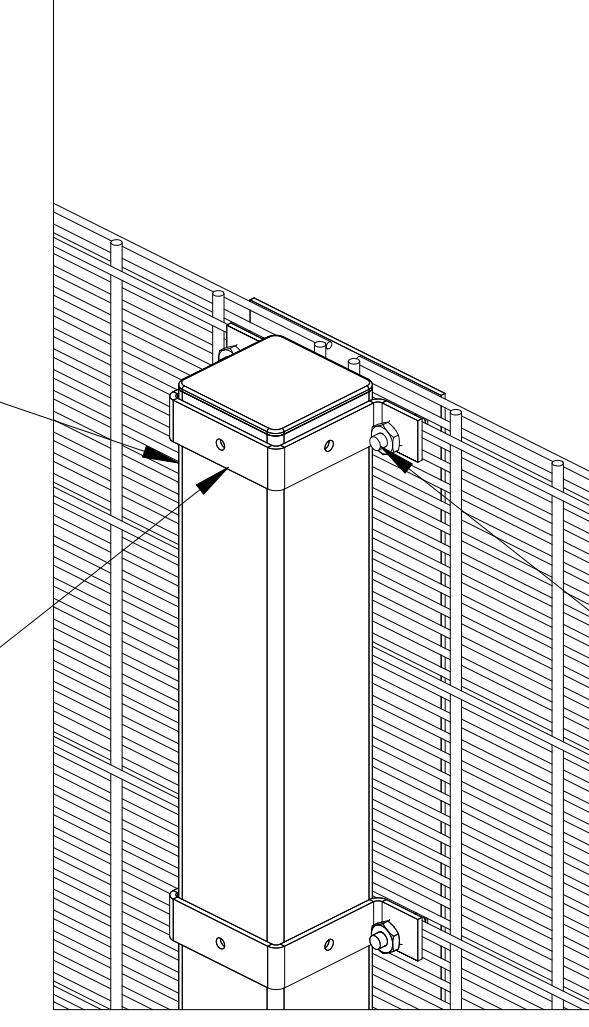
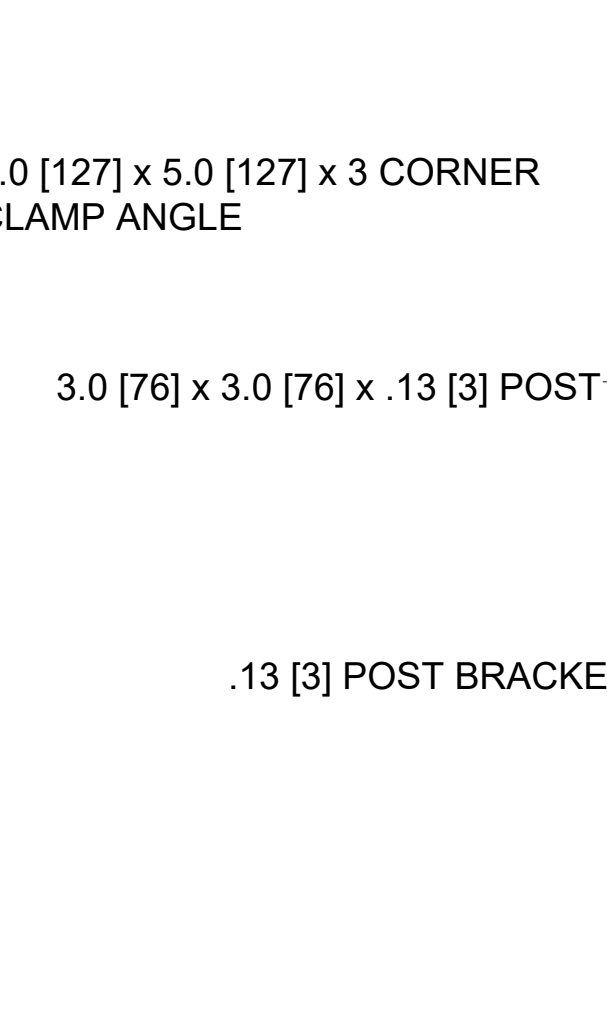
RAMPART 354 WELDED WIRE



TYPICAL CORNER POST INSTALLATION DETAIL

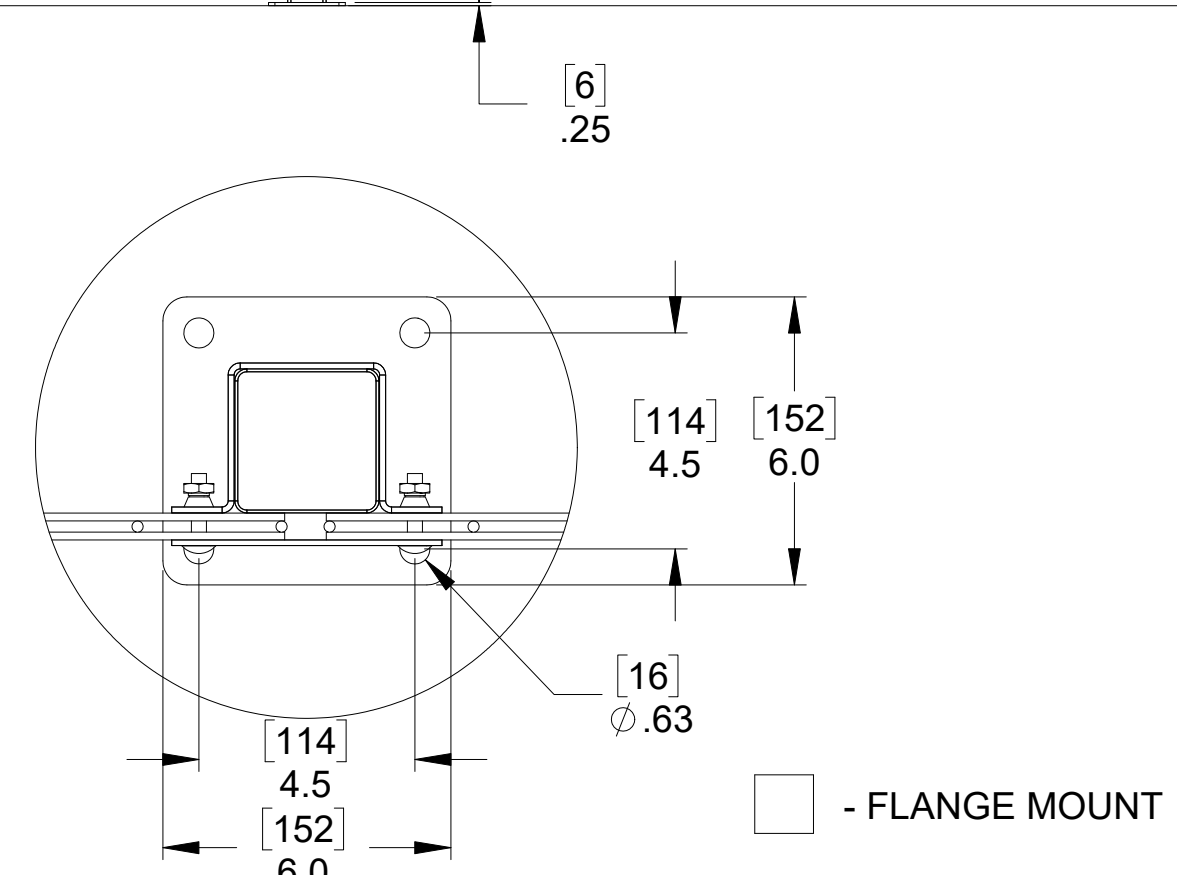


TYPICAL LINE POST / END POST INSTALLATION DETAIL

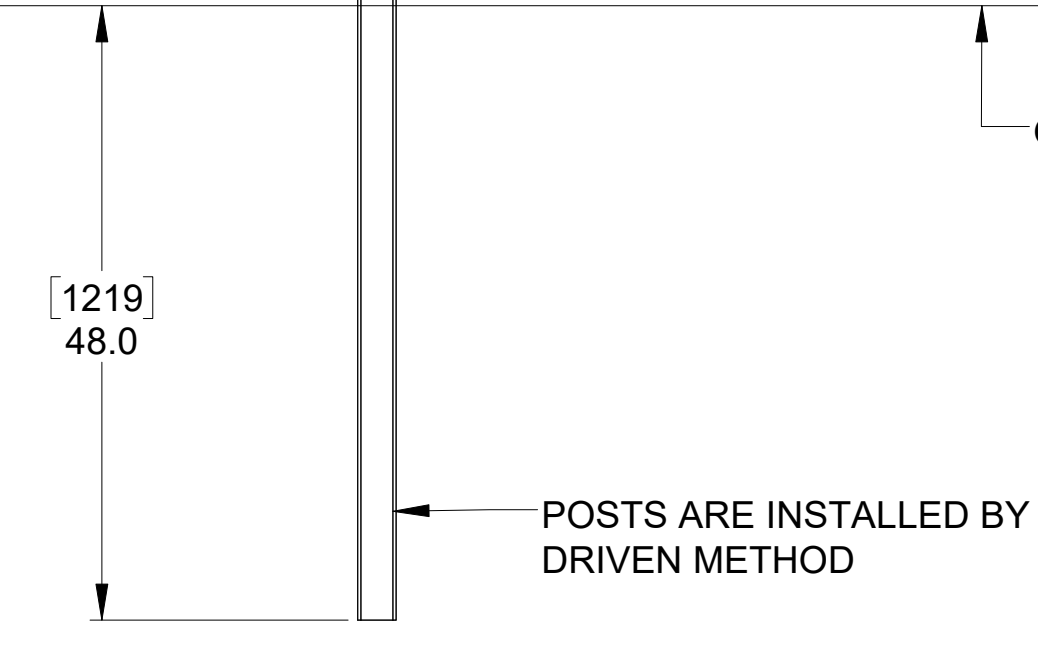


2540
100.0 TYP.

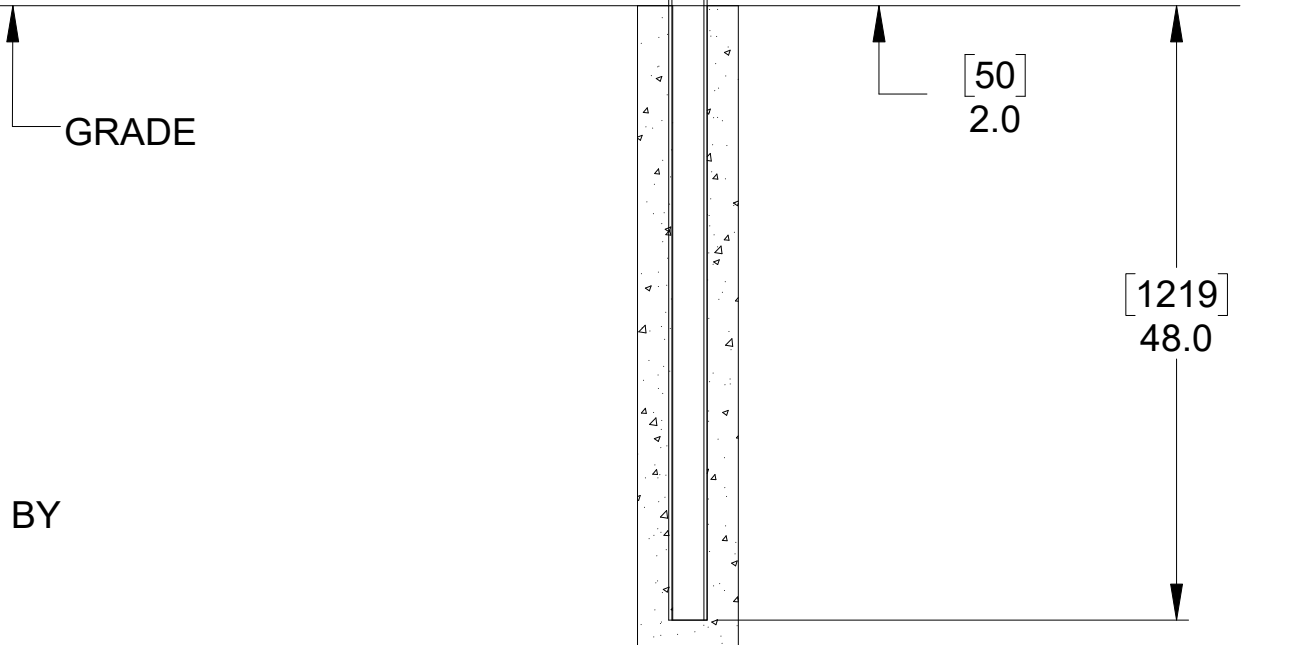
- 6' [1.8M] - 73.1 [1858]
- 8' [2.4M] - 97.2 [2468]



- FLANGE MOUNT



- DRIVEN METHOD



- CONCRETE FOOTING

MOUNTING BRACKET QUANTITY

SIZE	QTY
6' [1.8]	7
8' [2.4]	9

NOTE:
DRAWING IS IN INCHES DIMENSIONS SHOWN IN [] ARE IN MILLIMETERS UNLESS OTHERWISE NOTED.