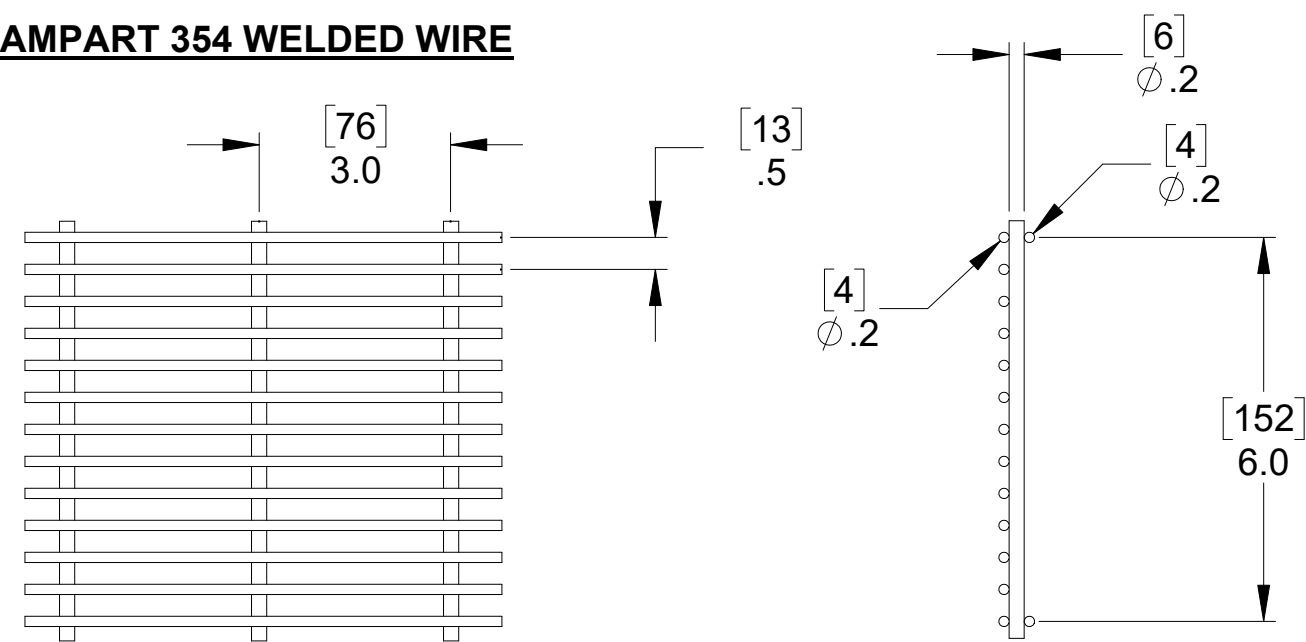
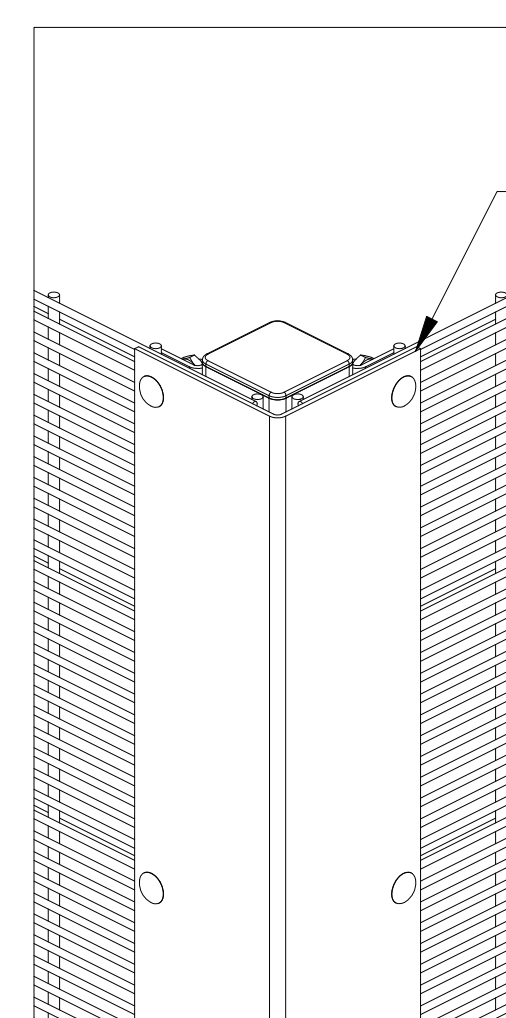
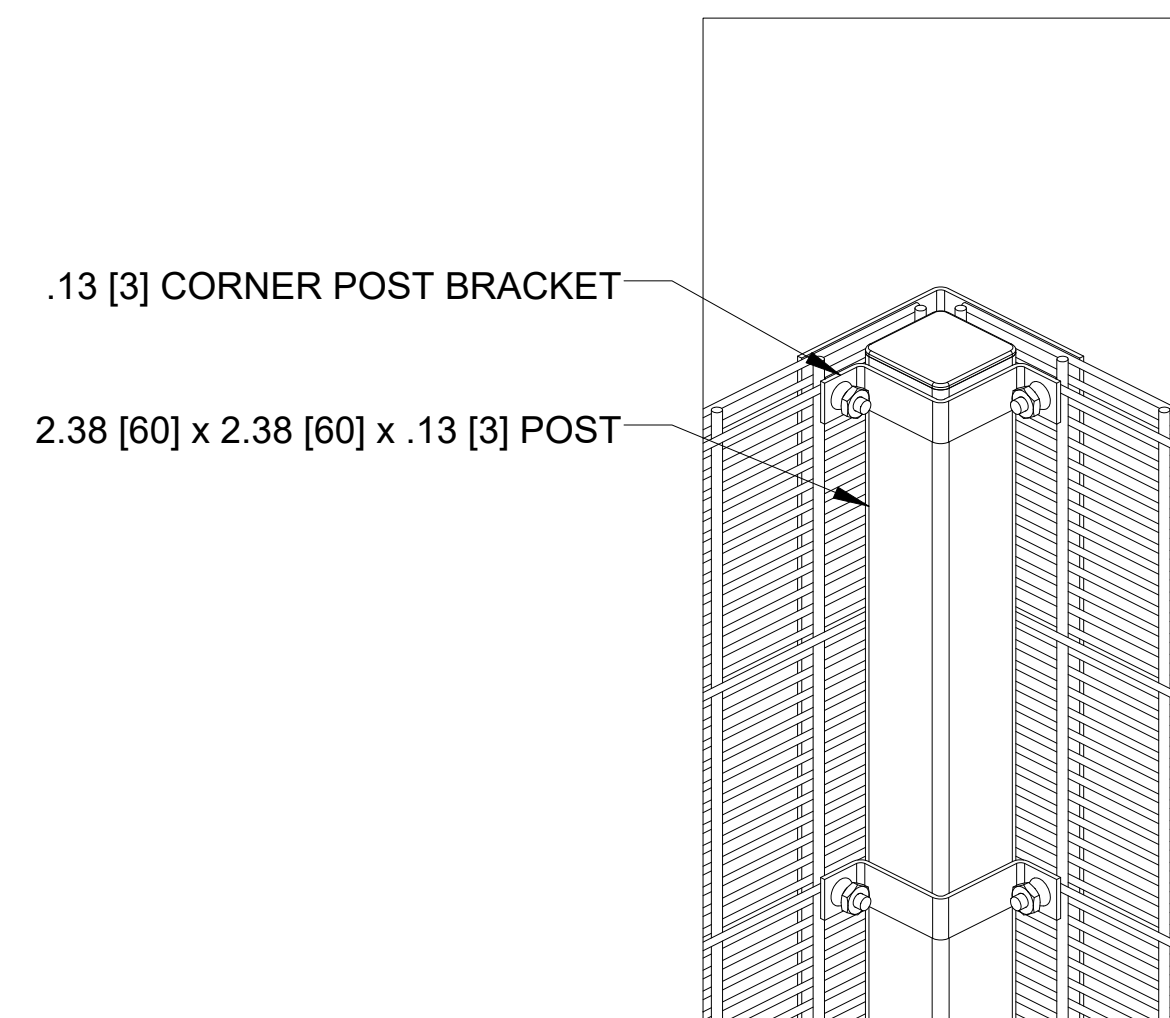


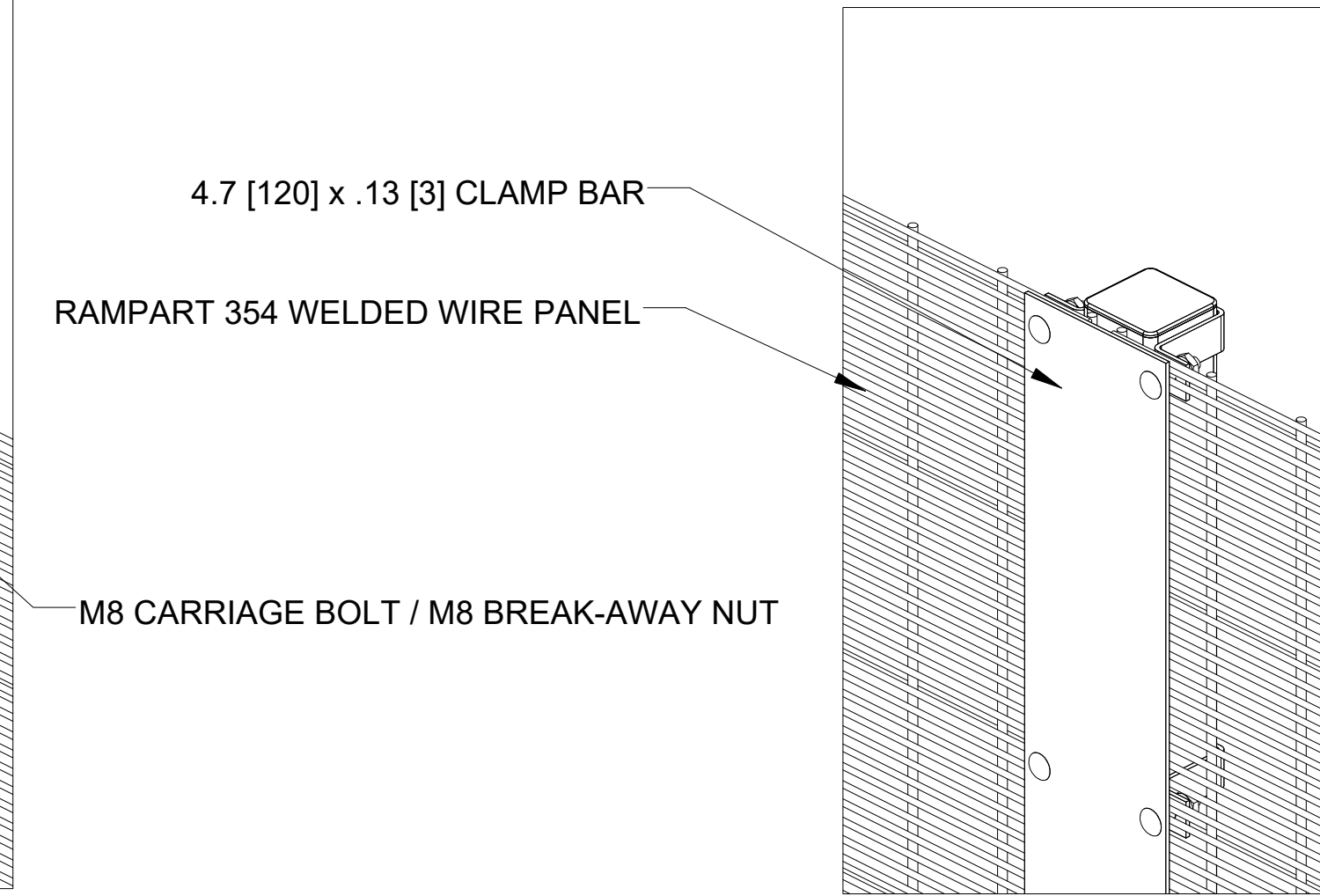
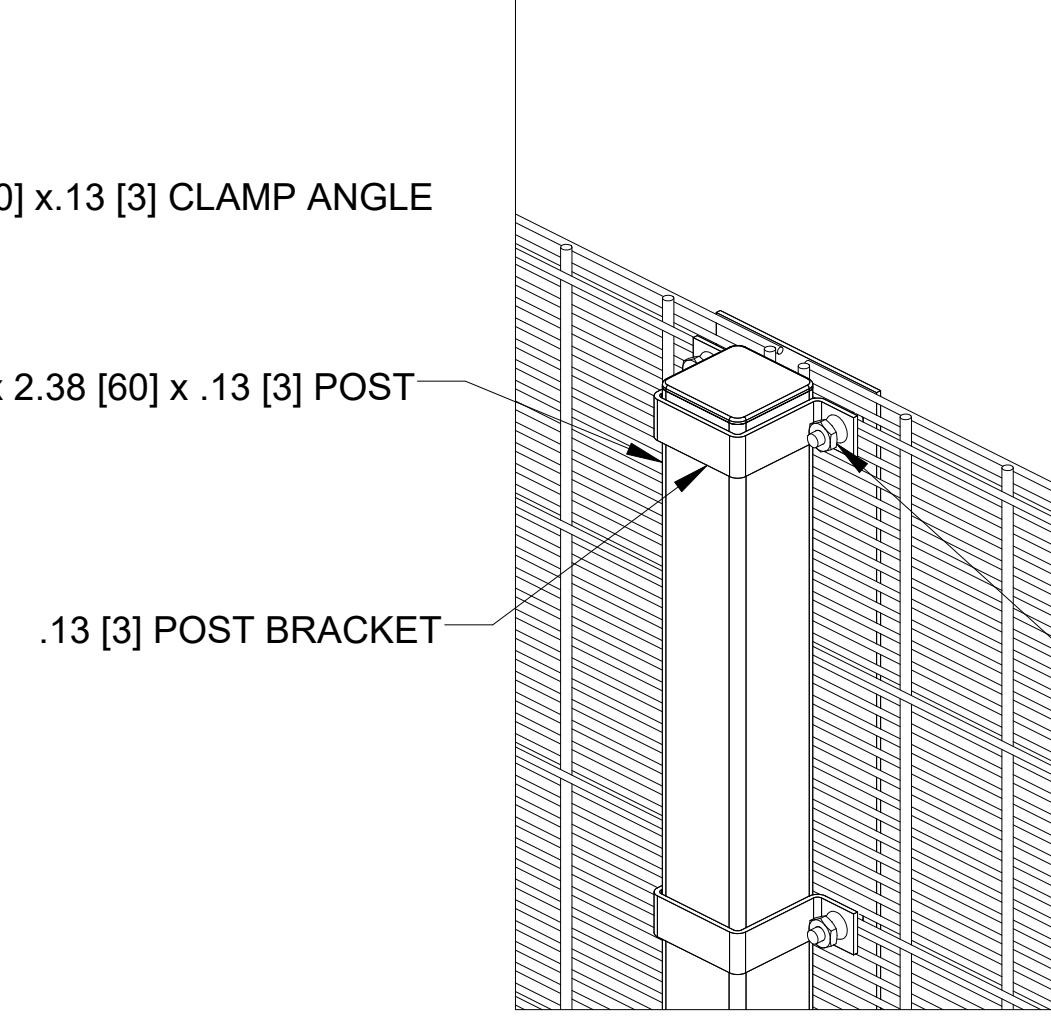
RAMPART 354 WELDED WIRE



TYPICAL CORNER POST INSTALLATION DETAIL

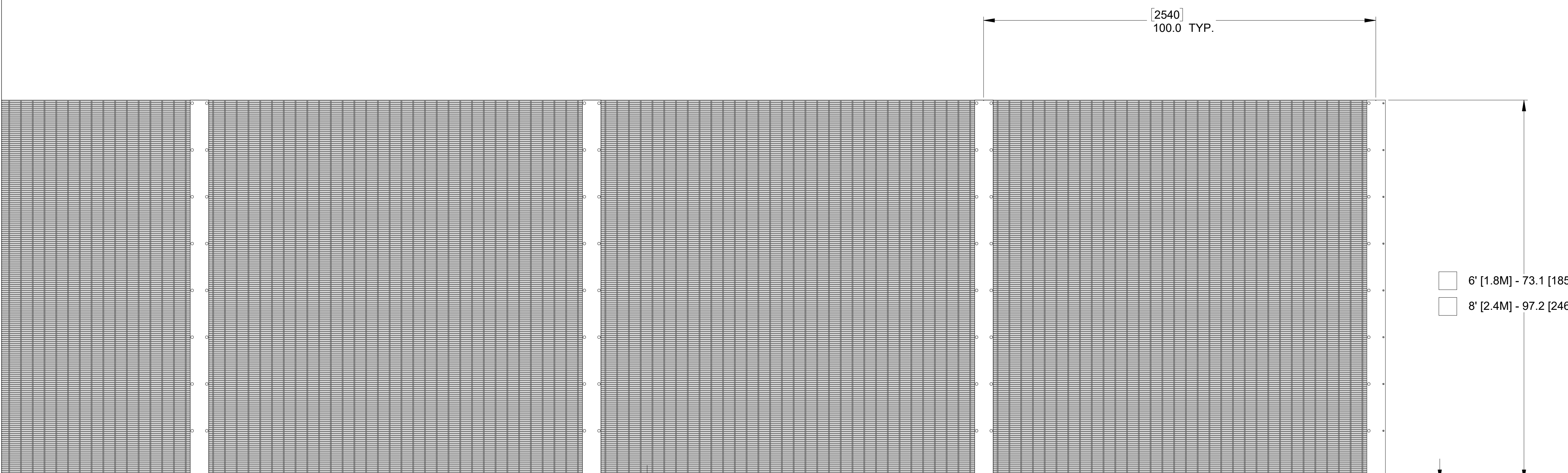
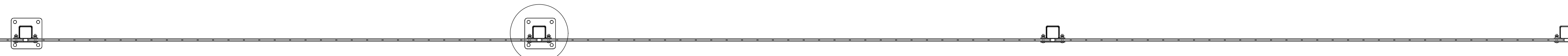


TYPICAL LINE POST / END POST INSTALLATION DETAIL

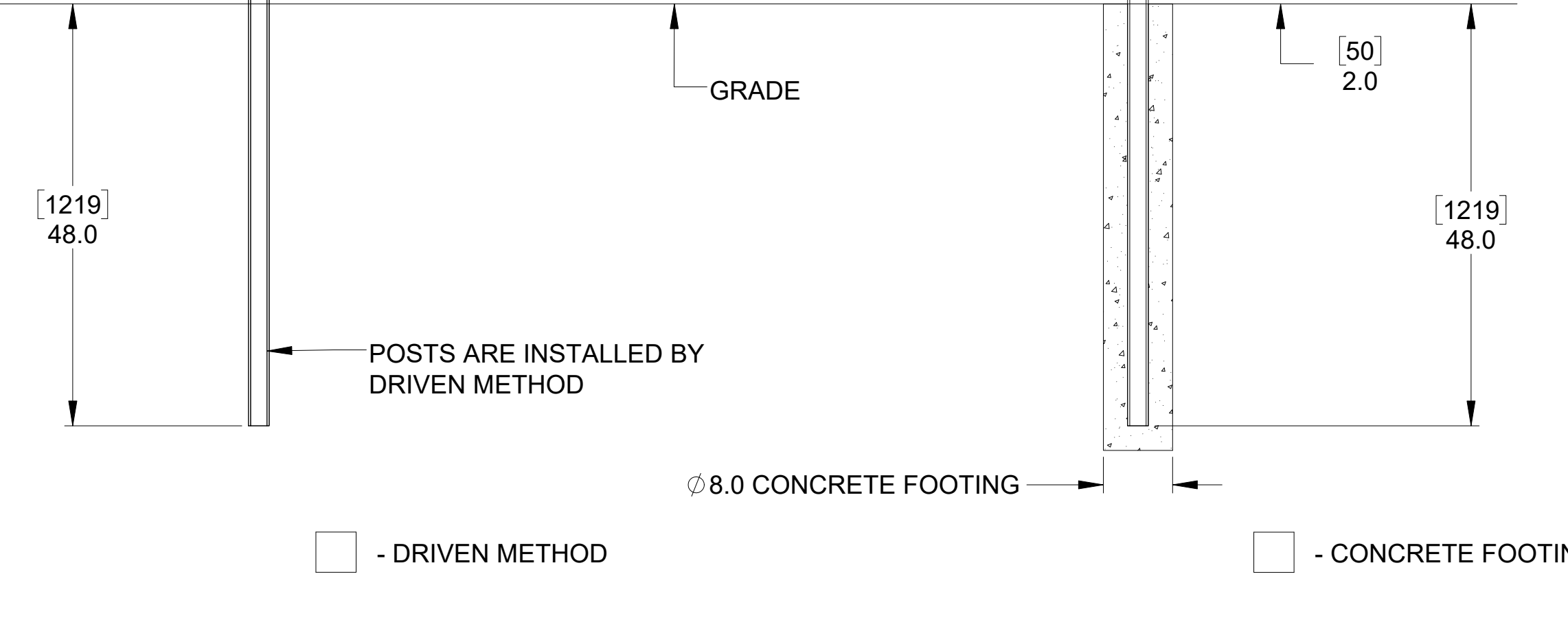
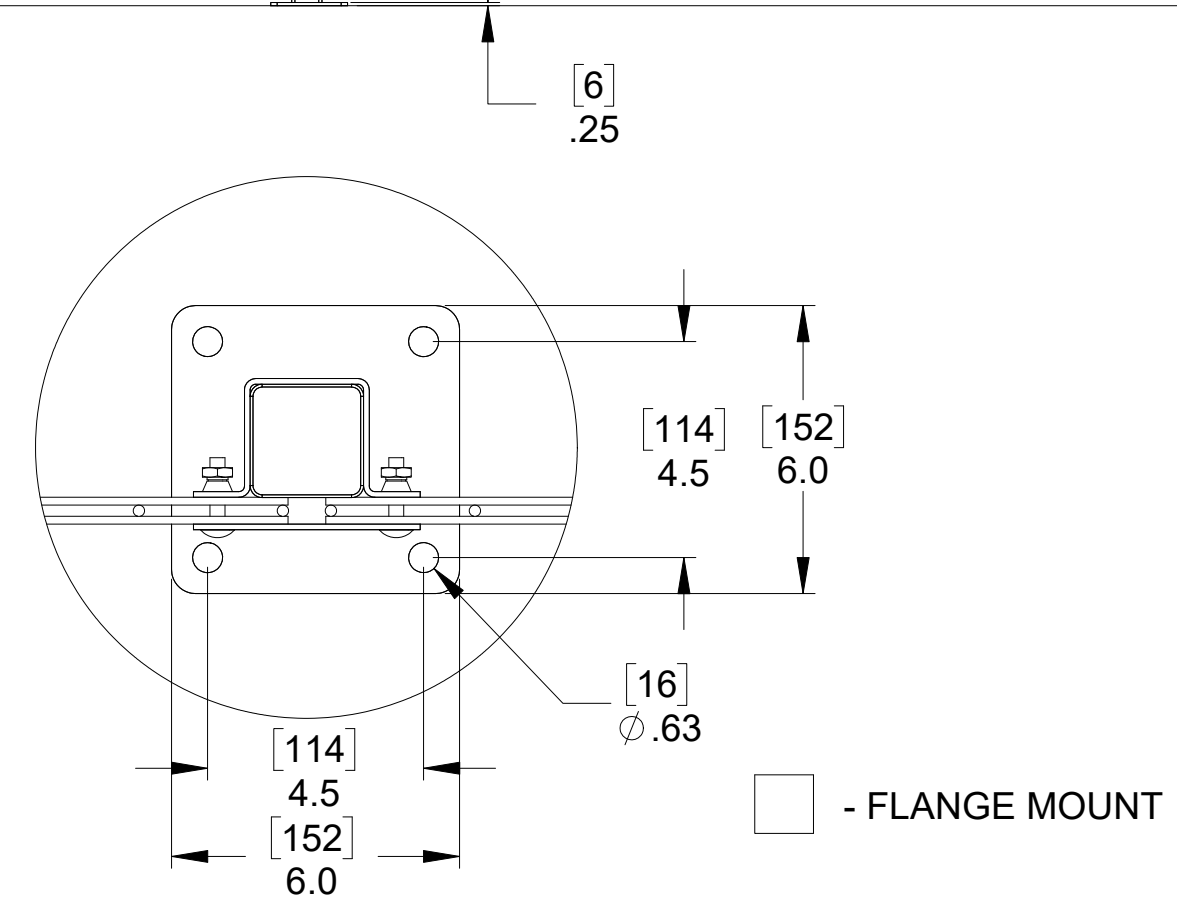


MOUNTING BRACKET QUANTITY

SIZE	SIZE
6' [1.8]	7
8' [2.4]	9



- 6' [1.8M] - 73.1 [1858]
- 8' [2.4M] - 97.2 [2468]



- FLANGE MOUNT
- DRIVEN METHOD
- CONCRETE FOOTING

NOTE:
DRAWING IS IN INCHES DIMENSIONS SHOWN IN [] ARE IN MILLIMETERS UNLESS OTHERWISE NOTED.

		Description: DEFENDER WELDED WIRE FENCE 6' [1.8M] & 8' [2.4M]	
115 Lowson Crescent Winnipeg, Manitoba, Canada, R3P 1A6 Phone: 1-888-330-1110 Fax: 1-204-284-1998 Web: www.wallaceperimetersecurity.com		Customer / Project Name:	Date: 4/8/2020
Finish: POWDER COAT, BLACK		Drawing No: DEFENDER-04-08-20	Rev: 1 Sheet: 1 of 1