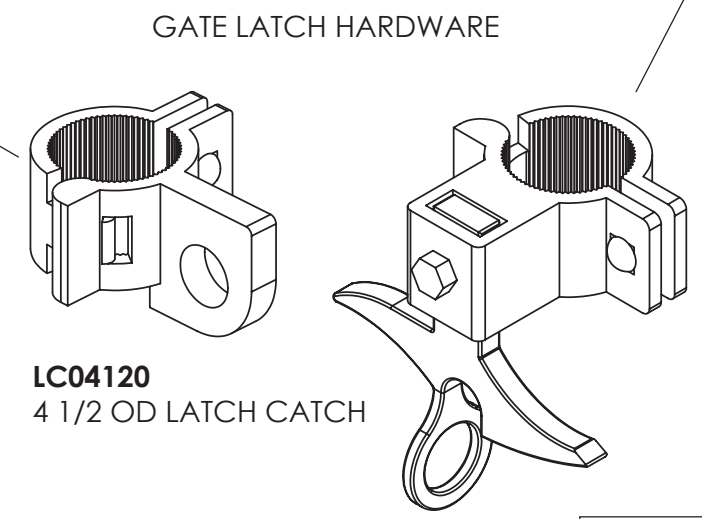


6' (1219mm) CHAIN LINK FENCE & GATE DETAIL

NOTES: ALL POST INSTALLED BY PNEUMATICALLY DRIVEN METHOD



DL11160
1 11/16" OD DROP LATCH

LC04120
4 1/2 OD LATCH CATCH

Description:	
6 FT. (1829mm) CHAIN LINK FENCE / GATE DETAIL	
Project / Customer Name:	
-	
Finish:	Date:
	05/17/11
Drawing No.	Rev.
8-CLG-05-17-11	
	Sheet:
	1 of 1



90 Lawson Crescent,
Winnipeg, Manitoba, Canada R3P 2H8
Phone: 1-866-861-5200
Fax: 1-204-284-1868
Web: www.wallacefences.com